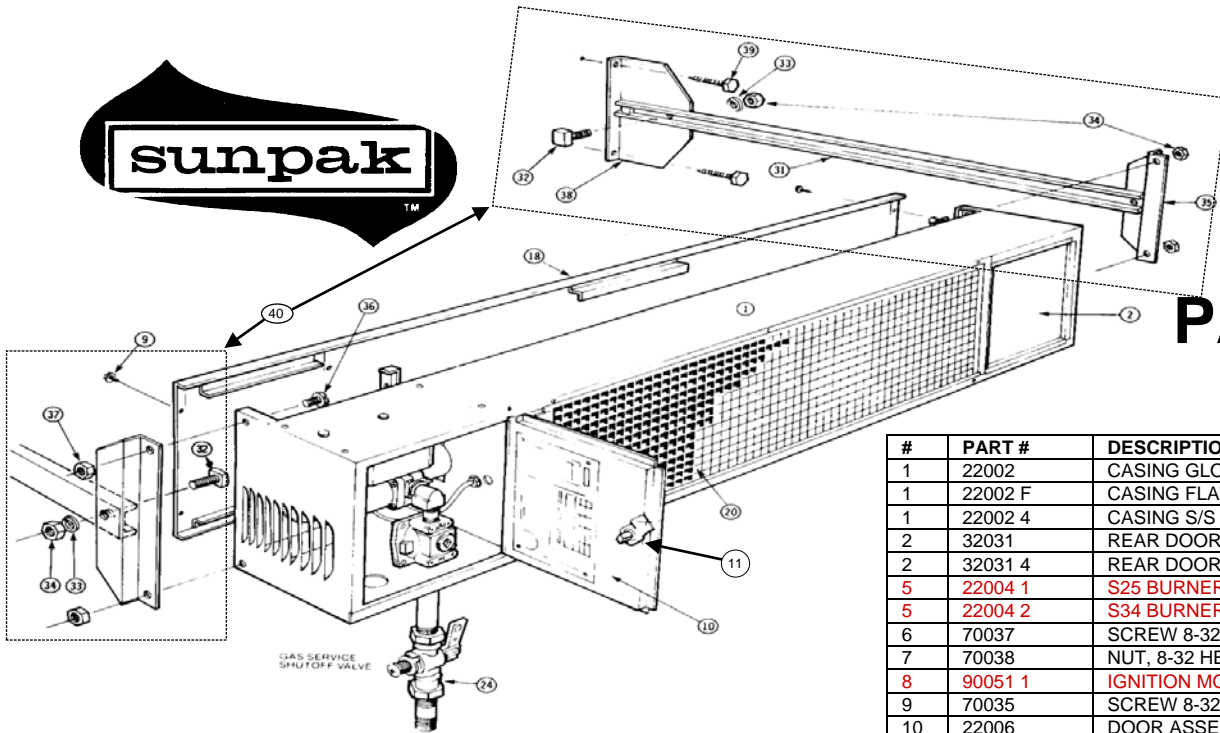


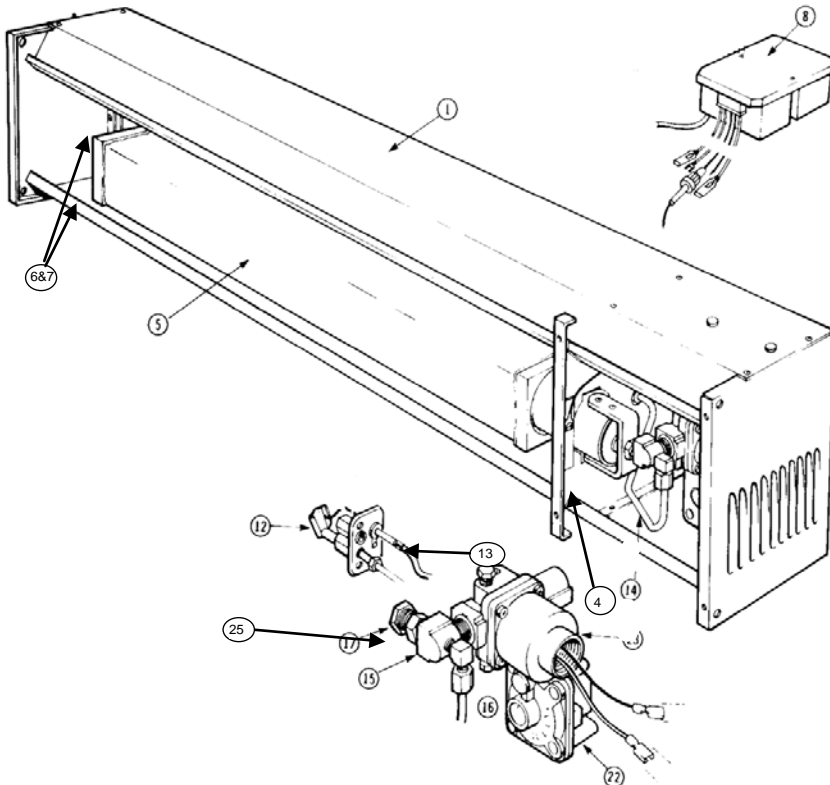


SUNPAK PARTS LIST



GAS SERVICE SHUTOFF VALVE

Phone 888-Warm-Glo
Local 415-884-2880
Fax 415-884-0755
30 Pamaron Way, Suite L, Novato CA 94949
e-mail glow@alfresco-heating.com



#	PART #	DESCRIPTION	\$ PRICE
1	22002	CASING GLOSSY BLACK	250
1	22002 F	CASING FLAT BLACK	250
1	22002 4	CASING S/S	300
2	32031	REAR DOOR CASING BLACK	19
2	32031 4	REAR DOOR CASING S/S	30
5	22004 1	S25 BURNER	299
5	22004 2	S34 BURNER	349
6	70037	SCREW 8-32 X 3/4 SS - burner	1/2
7	70038	NUT, 8-32 HEX SS - burner	1/4
8	90051 1	IGNITION MODULE	239
9	70035	SCREW 8-32 X 1/2 SSSST	1/2
10	22006	DOOR ASSEMBLY BLACK	26
10	22006 4	DOOR ASSEMBLY S/S	29
11	71021	DOOR LATCH ASSEMBLY	9
11	LOCK	LOCK & KEY ASSEMBLY FOR CONTROL BOX	25
12	22024	PILOT ELECTRODE ASSEMBLY (with gasket, compression nut & ferrule)	70
13	50011	PILOT GASKET	3
15	80027	ELBOW 1/4 TUBE 1/8MPT	4
16	22021 1	REGULATOR - VALVE ASSEMBLY - contains 15,17,22,23;25 (specify S25 or S34 & natural or LP gas)	279
17	80032	LOCKNUT	1 1/4
18	22009	TOP CASING BLACK	60
18	22009 4	TOP CASING S/S	80
20	22010	GRILL ASSY	99
20	22010-2	GRILL ASSY, REINFORCED	99
22	90056	NG/LP REGULATOR	57
23	90054	SOLENOID VALVE 24V	159
24	90009 1	1/2" GAS VALVE	23
25	35001 44	ORIFICE S25 NAT	3
25	35001 38	ORIFICE S34 NAT	3
25	35001 53	ORIFICE S25 LP	3
25	35001 50	ORIFICE S34 LP	3
31	32043	BAR CHANNEL BLACK	12
31	32043 2	BAR CHANNEL S/S	39
32	70007	BOLT 3/8-16 X 5/8 SS	2
33	70013	WASHER 3/8 LOCK SS	1/4
34	70059	NUT 3/8 SS	1/2
35	32041	"S" BRACKET BLACK	10
35	32041 2	"S" BRACKET SS	17
36	70061	SCREW 1/4-20 X 1/2 SS	1/4
37	71023	NUT 1/4- 20 SS	1/4
38	32042	"L" BRACKET BLACK	10
38	32042 2	"L" BRACKET SS	20
39	70060	BOLT 1/4 X 1-1/4 SS LAG	1
39	70060-2	BOLT 1/4 X 2 SS LAG	1 1/2
39	70060-3	BOLT 1/4 X 3 SS LAG	2
40	12006	Black Mounting Kit (includes items # 31 - 39 w 1 1/4" lags)	83
40	12006-S	SS Mounting Kit (includes items # 31 - 39 w 1 1/4" lags)	159
41	32047	INSULATION FOR CONTROL BOX (TWO HALVES)	16
•	70026	SCREW #8 X 1/2 SS	1/4
•	SP PB S	MTG SCREW & BOLT KIT SS (includes 6 ea # 32,33;34 & 4 ea # 36,37;39-1 1/4 length)	24

Updated June, 2009. Prices Subject to change without notice.