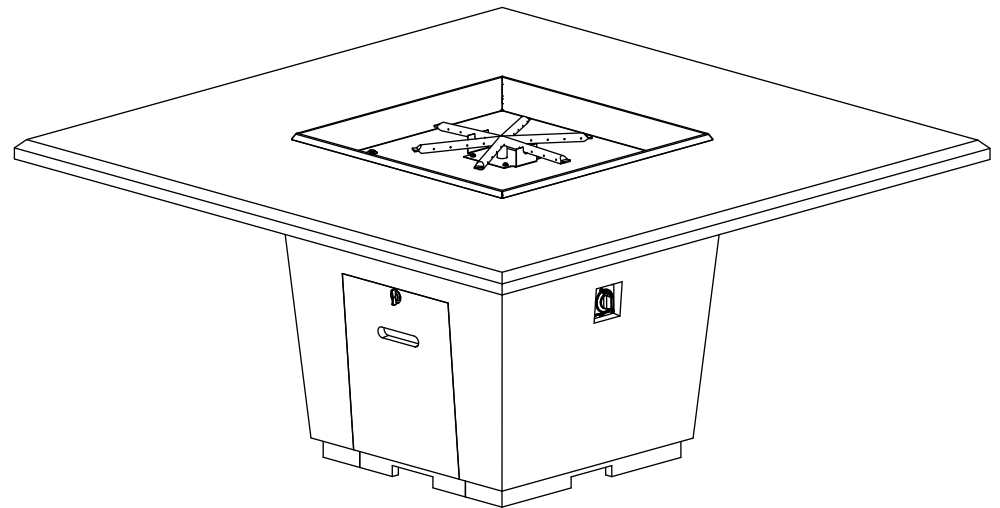
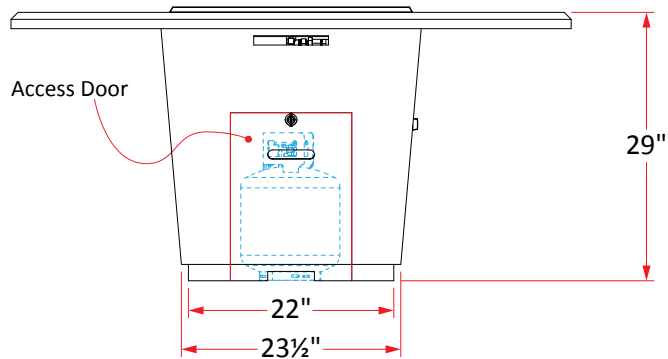
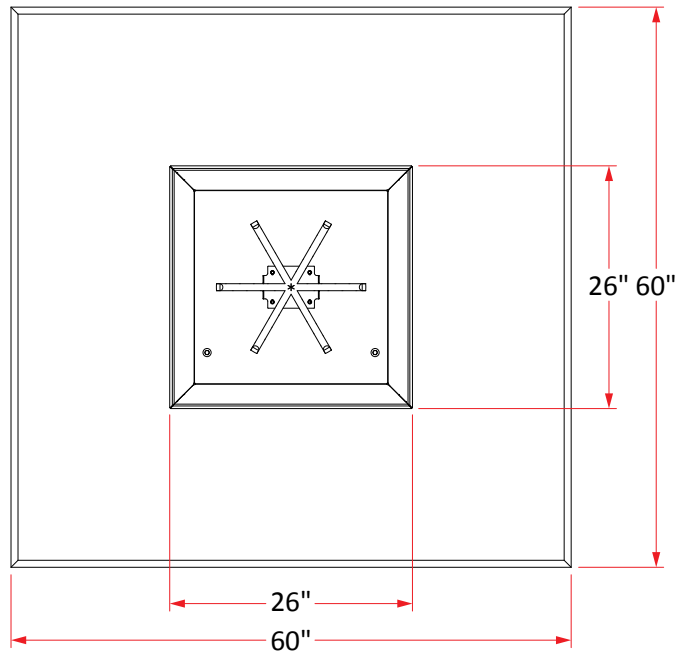




## Cosmopolitan Square Dining Firetable



Model #: 642-xx-11-V6xC



### #642 - Cosmopolitan Firetable Specs

|                       |                         |
|-----------------------|-------------------------|
| Dimensions:           | 60"w x 60"d x 29"h      |
| Weight:               | 500 lbs                 |
| Key Valve (V6) BTU's: | 65,000 (NG)/60,000 (LP) |

*Accepts a 5 gal. Propane tank inside the unit (not included).*

**AMERICAN  
FYRE DESIGNS™**  
outdoor Products Collection