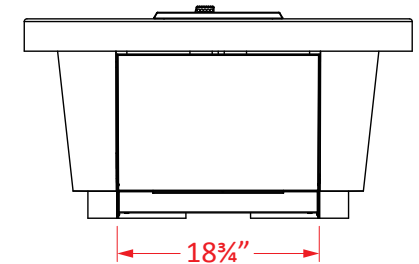
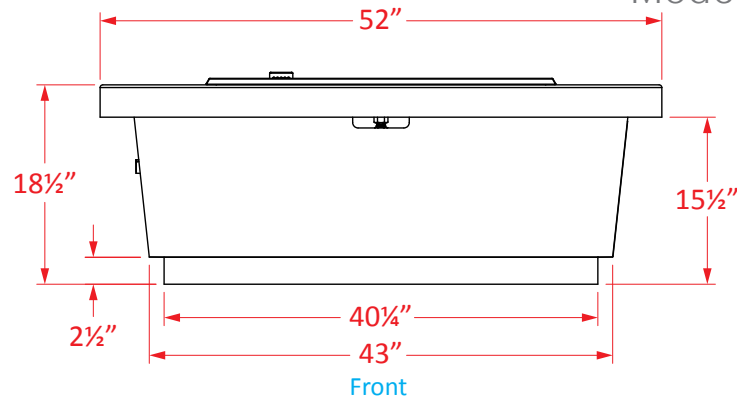
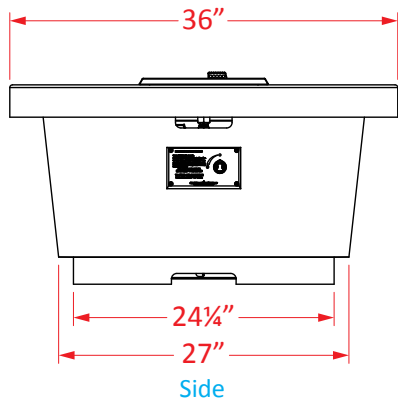


Contempo LP Select Firetable

Model with Knob Valve: [785-xx-11-M4PC](#)



AMERICAN
FYRE DESIGNS™
 outdoor Products Collection

Contempo LP Select Firetable

Dimensions:	52"w x 36"d x 18½"h
Weight:	350 lbs
Knob Valve (M4) BTU's:	60,000 (NG) / 60,000 (LP)

Must use horizontal 20# DOT type propane tank (not included).