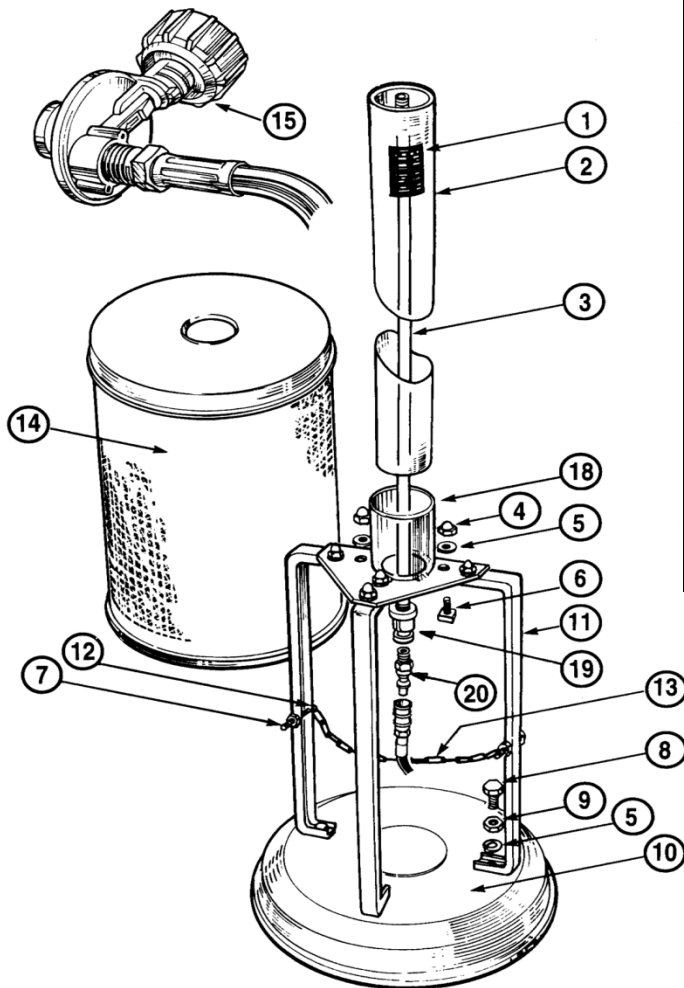


## SUNGLO A270 PARTS LIST



#	PART #	DESCRIPTION	\$
1	60008 1	LIGHTING INSTRUCTIONS	5
2	30280 94	POST ONLY: Specify Color	92
2	30280 S	POST ONLY: S/S A270	164
3	80006 2	PIPE ONLY: 42" FOR A270	20
4	70011	NUT, 3/8 ACORN	3/4
5	70013	WASHER, 3/8 LOCK	1/4
6	70007	BOLT, 3/8 X 3/4L SQUARE	2
7	70025	EYEBOLT, 3/16 S2 W/NUT	1/2
8	70012	BOLT, 3/8 -16 X 1 1/4	1/2
9	70059	NUT, 3/8	1/2
10	10264 2S	BASE ONLY STAINLESS	279
10	10264	BASE ONLY - Specify Color	280
11	30279 5	S/S "L" BRACKET FOR A270	40
	30279	"L" BRKT FOR A270 - Specify Color	24
12	70029	HOOK, 1 1/2 S	1/2
13	27036	A270 CHAIN	2
14	27033 4	DEC COVER ONLY: STAINLESS STEEL	291
	27033	DEC COVER ONLY (SPECIFY COLOR)	169
15	90017 4	HOSE/REG ASSEMBLYQCC - Standard As Pictured	53
	90017 5	HOSE/REG ASSEMBLY Q/D - w/ Brass Quick Disconnect Coupler to Tank	53
	80011-2	OLD STYLE HOSE ONLY - 32"	27
18	27002 5	SOCKET ASSEMBLY: STAINLESS	177
	27002 4G	SOCKET ASSEMBLY (SPECIFY COLOR)	69
19	80085	REDUCER 1/2 X 1/4	4
20	90078	Q/D NIPPLE FOR POST ONLY	7



Phone 888-Warm-Glo  
 Local 415-884-2880  
 Fax 415-884-0755  
 30 Pamaron Way Suite L Novato CA 94949  
[www.alfresco-heating.com](http://www.alfresco-heating.com)