

### BURNER HEAD & RELATED PARTS

(Refer to page 37 for part numbers & description)

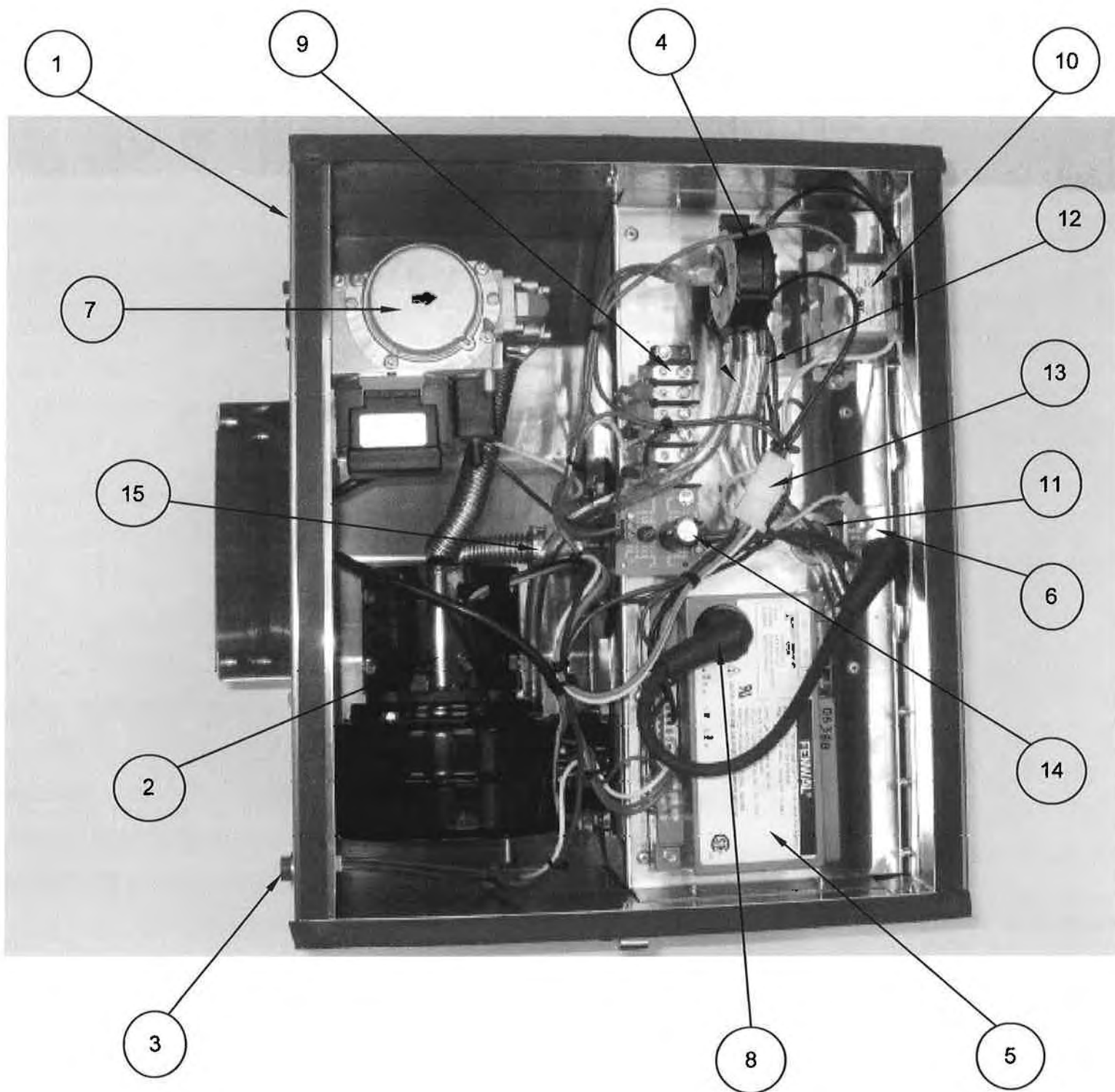


FIGURE #23 BURNER HEAD PARTS

REFLECTOR AND TUBE PARTS

(Refer to page to page 37 for part numbers and descriptions)

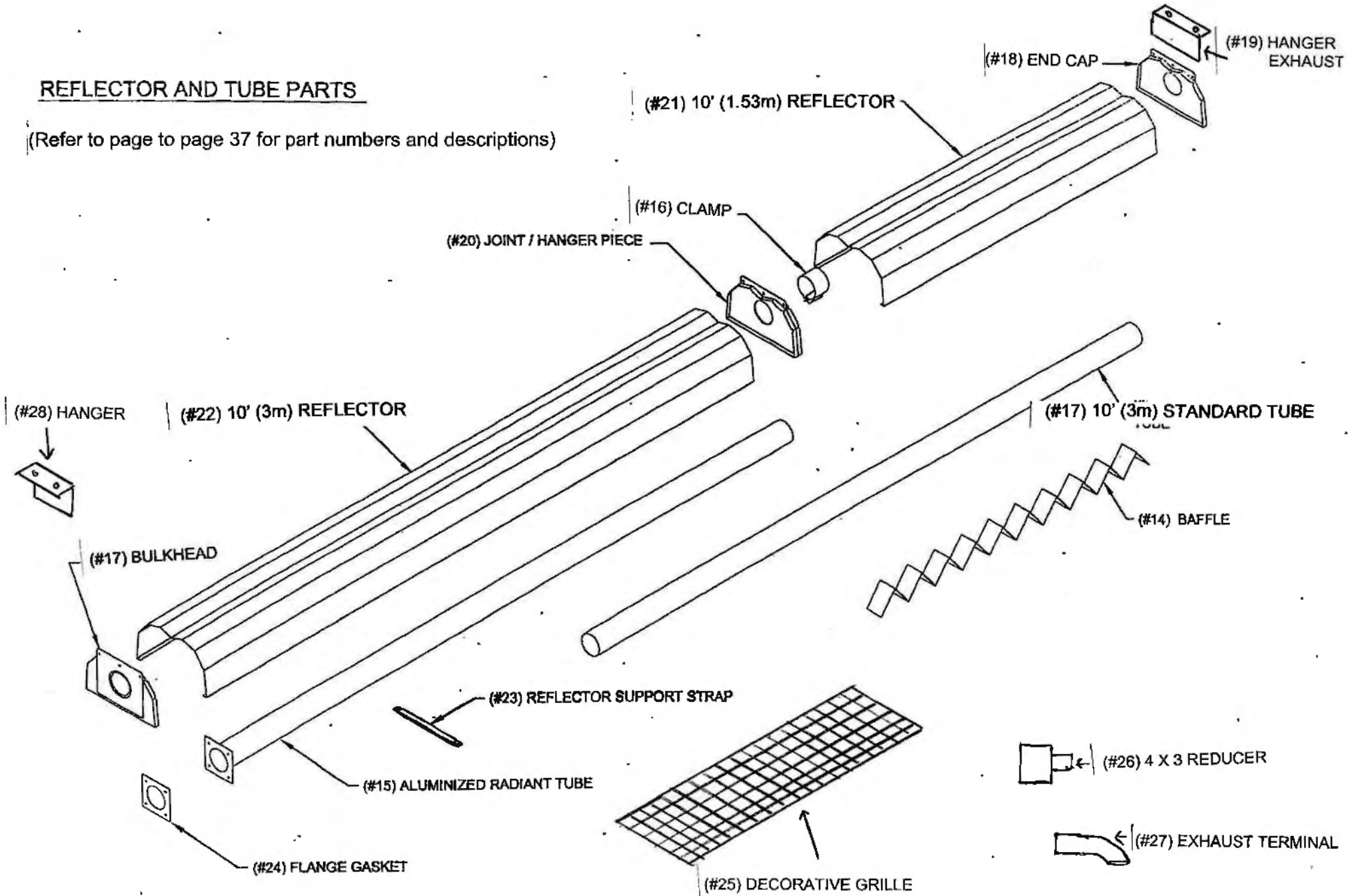


FIGURE #23 REFLECTOR AND TUBE PARTS

See page 35 & 36 for visual detail

**REPLACEMENT BURNER HEADS**

ITEM #	PIN	INPUT	FUEL	WEIGHT
1	5120000	PH - 40	NG	32 lbs (36 kg)
1	5120001	PH - 40	LP	32 lbs (36 kg)
1	5120002	PH - 50	NG	32 lbs (36 kg)
1	5120003	PH - 50	LP	32 lbs (36 kg)
1	5120004	PH - 75	NG	32 lbs (36 kg)
1	5120005	PH - 75	LP	32 lbs (36 kg)

**BURNER HEAD COMPONENTS**

ITEM #	PIN	DESCRIPTION	WEIGHT (lbs)
2	3010001	Blower Motor Assembly	**
3	1090C1	Indicator Light	**
4	3070401	Air Switch PH - 40	**
4	3070402	Air Switch PH - 50	**
4	3704003	Air Switch PH - 75	**
5	3030021	Direct Spark Ignition Module ( Fenwal)	**
6	3030633	Electrode Assembly	**
7	3020005	Gas Valve LP	**
7	3020003	Gas Valve NG	**
8	3030026	High Voltage Ignition Wire	**
9	3070025	Terminal Block	**
10	3070016	Transformer	**
11	3110022	View Port - Mica Window	**
12	5040374	Vinyl Hose for Differential Air Proving Switch	**
13	3070321	Wire Harness	**
14	LX1000	Variable Input Control	**
15	590156	Burner Assembly	**

**TUBE COMPONENTS**

ITEM #	PIN	DESCRIPTION	WEIGHT (lbs)
16	5170147	Baffle Turbulator	5 lbs (2.3 kg)
17	3170325	Flanged Tube Aluminized PH - 40	30 lbs (13.7 kg)
17	3170327	Flanged Tube Aluminized PH - 50 & 75	30 lbs (13.7 kg)
18	37760	Radiant PH - 75	15 lbs (6.8 kg)
19	37759	Radiant PH - 50	30 lbs (13.7 kg)
20	3170201	Tube Clamp	**
21	715013	PH-40 High Output Tube Assembly	45 lbs (21 kg)
22	715014	PH-75 High Output Tube Assembly	65 lbs (30 kg)
23	3200744	4 x 3 Reducer	5 lbs (2.3 kg)

**REFLECTOR COMPONENTS**

ITEM #	PIN	DESCRIPTION	WEIGHT
24	5120034	PH Bulkhead SS	5 lbs (2.3 kg)
25	5120033	PH End Cap SS Exhaust	5 lbs (2.3 kg)
26	5120040	PH - 50 & 75 Hanger Assembly	5 lbs (2.3 kg)
27	5180161	Reflector 5' (1.53m)	10 lbs (4.54 kg)
28	5180162	Reflector 10' (3m)	20 lbs (9.1 kg)
29	5180708	SS Reflector SupportStrap	**
30	5080319	Flange Gasket	**
31	4160152	Decorative Egg Crate Grill	5 lbs (2.3 kg)
32	715001	PH-40 High Output Reflector Assembly	15 lbs (6.8 kg)
33	715007	PH-75 High Output Reflector Assembly	30 lbs (13.7 kg)