

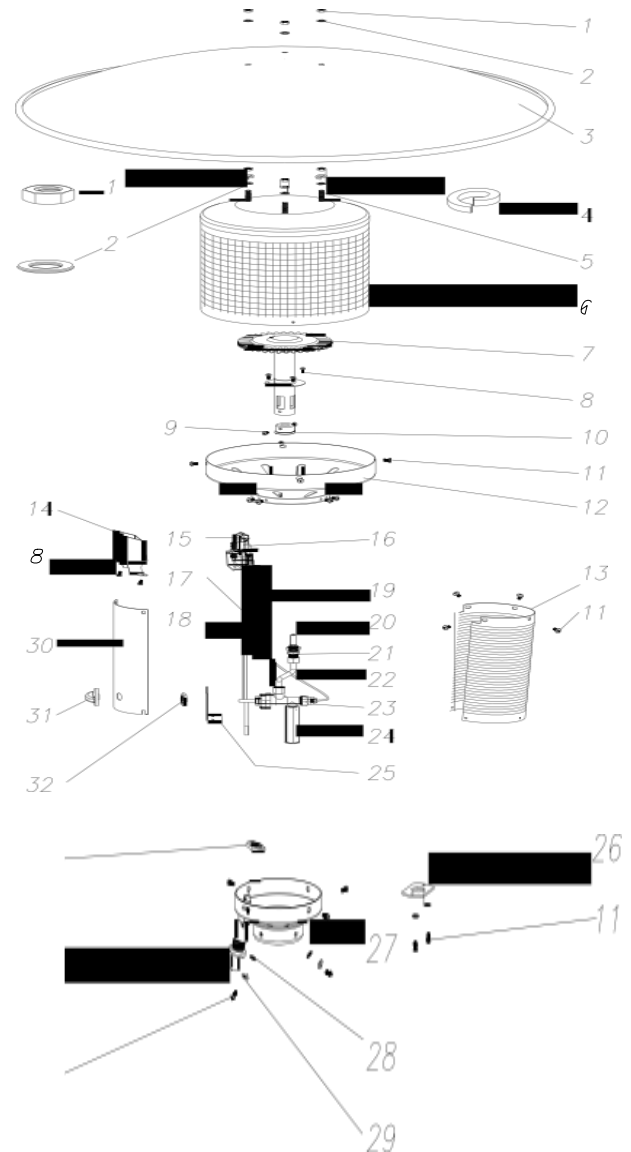
Patio Comfort Outdoor Patio Heater Model PC-02

Parts Diagram and Repair Parts

For Heater Heads Model PC-02 (AB, J/SV, S, and W finishes)

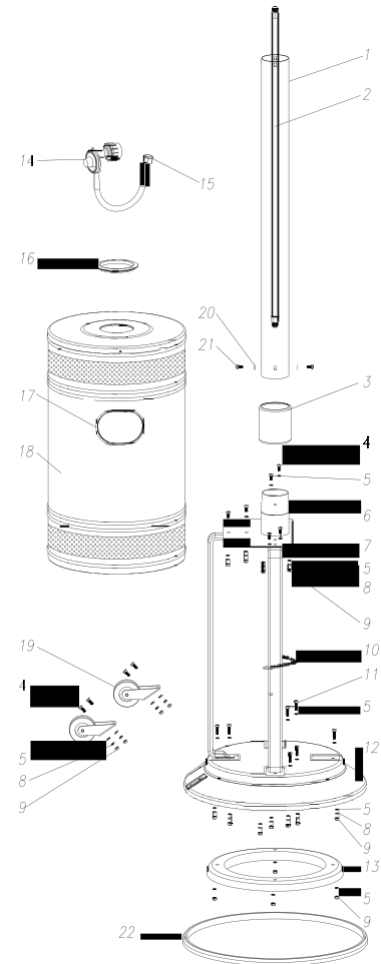
KEY#	PART#	DESCRIPTION	QTY
1	1001	Hex-Nut M8 S/S	6
2	1002	Flat Washer 8mm dia. S/S	6
3	1003	Reflector	1
4	1004	Lock Washer 8mm dia. S/S	3
5	1005	Hex-Bolt M8 x 20 mm S/S	3
6	1006	Emitter Grid	1
7	1007	Burner Assy with shield	1
8	1008	Self-tapping T Screw for Pilot shield M4 x 8mm S/S	2
9	1009	Screw for Burner Retention M4 x 6mm S/S	4
10	1010-07	Base Fitting for Orifice / main Burner	1
11	1011	Pan Head Screw M5 x 8 mm S/S	17
12	1012	Pan Assy S/S	1
13	1013	Perforated Body	1
14	1014	Pilot Shield	1
15	1015	Electrode	1
16	1016	Pilot Assy	1
17	1017	Wire Insulation	1
18	1018	Thermocouple	1
19	1019	Pilot Tube Assy	1
20	1020-07	Orifice for Main Burner	1
22	1022	Tube Assy for burner (manufactured before 2007)	1
22	1022-07	Tube Assy for burner (manufactured after 2006)	1
23	1023	Thermoelectric Control Valve	1
24	1024	Extension Fitting at Valve Base	1
25	1025	Bracket for Valve mounting	1
26	1026	Bracket for Fuel-Tube	1
27	1027	Base Assy for Heater Head	1
28	1028	Flat Washer 6mm dia. S/S	4
29	1029	Lock Washer 6mm dia. S/S	4
30	1030	Faceplate for Lighting Instruction S/S	1
31	1031	Knob	1
32	1032	Specific Nut for Valve	1
33	1033	Piezo Igniter	1
34	1034	Pan Head Screw M6 x 12mm S/S	4
35	1035	Specific Nut for Igniter	1
36	1036	Pilot Orifice	1
37	1037	Self-tapping Pan Head Screw M5x10 S/S	4

Part# PAC – Pilot Assembly Complete
(includes parts 14-19)



Patio Comfort Outdoor Patio Heater Model PC-02**Parts Diagram and Repair Parts****For Heater Heads Model PC-02 (AB, J/SV, S, and W finishes)**

KEY#	PART #	DESCRIPTION	QTY
*1	4101	Post 3"x 36" S/S	1
1	3101	Post 3"x 36" White, J/SV, AB	1
2	1102	Fuel-Tube	1
*3	4103	Slip Socket Cover S/S	1
3	3103	Slip Socket Cover White, J/SV, AB	1
4	1104-04	Hex-Bolt M6x 20 mm S/S	9
5	1105	Flat Washer 6mm dia. S/S	26
*6	4106	Socket Assy for S/S	1
6	3106	Socket Assy for White, J/SV, AB	1
*7	4107	"L" Bracket for S/S	3
7	3107	"L" Bracket for White, J/SV, AB	3
8	1108	Lock Washer 6mm dia. S/S	13
9	1109	Hex-Nut M6 S/S	13
10	1110	Chain Assy for tank restraint	1
11	1111	Hex-Bolt M6 x40mm S/S	4
*12	4112	Base S/S	1
12	3112	Base White, J/SV, AB	1
13	1113	Ballast Weight for all Bases	1
14	1114	Regulator with type 1 QCC Tank Adapter	1
15	1115	Hose Assy 3/8" Female Flare	1
16	1116	Molding for Decorative Socket	1
*18	4118	Decorative Cover S/S	1
18	3118	Decorative Cover White, J/SV, AB	1
*19	4119	Wheel Assy w/ Bracket (1ea.) S/S	2
19	3119	Wheel Assy w/Bracket(1ea.) White, J/SV, AB	2
20	NSN	Flat Washer 6mm dia. S/S	4
21	1122	Pan Head Screw M6x12mm S/S	4
22	1123	Molding for Base Bottom	1



Please specify color when ordering replacement painted parts (#1,3,12,18,and19)
AB = Antique Bronze W = White J/SV = Jet Silver Vein
S = Stainless Steel All painted and stainless parts are interchangeable.