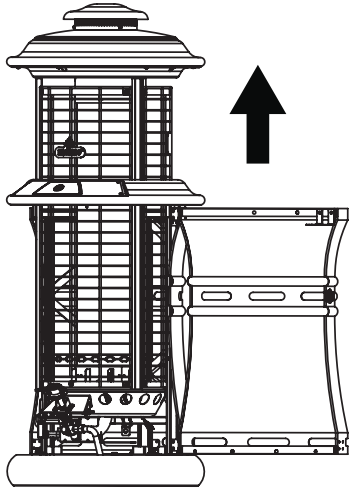


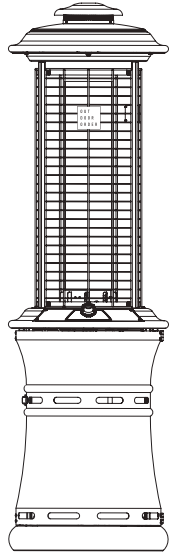
ASSEMBLY TIPS & TRICKS



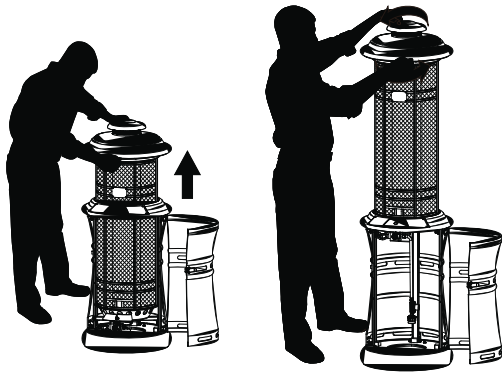
Step 1

To assemble unit partially open gas chamber door. Carefully lift heat reflector until entire heat exchange tube is exposed.

AXIS®
OUTDOOR COLLAPSIBLE HEATER



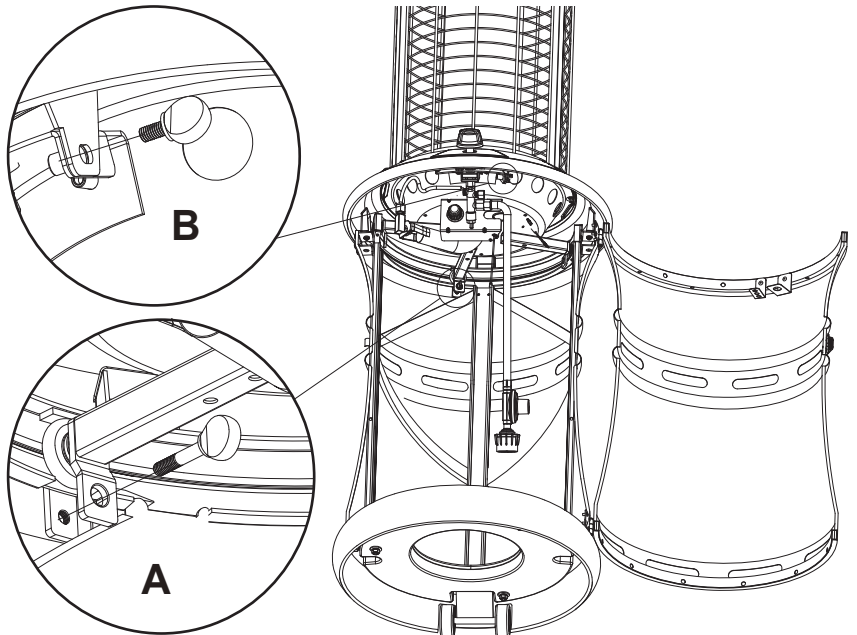
Don't Forget
the Thumb
Screws!



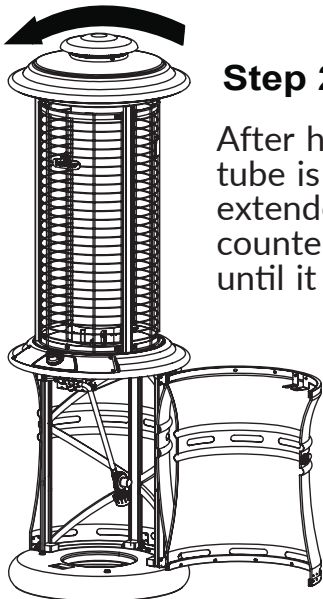
Step 3

M6x35
Thumb
Screw

M6x12
Thumb
Screw



Insert M6x35 thumb screw into hole **A**, and M6x12 thumb screw into hole **B**. Lock the screws.



Step 2

After heat exchange tube is fully extended, rotate counter-clockwise until it stops.