

SUPPLEMENTARY PLATINUM SMART-HEAT™ ELECTRIC HEATER SERIES II RECESS KIT CAVITY REQUIREMENTS.**FOR 2300W / 3400W / 4500W MODELS**

THESE REQUIREMENTS MUST BE READ IN CONJUNCTION WITH THE PLATINUM SMART-HEAT™ ELECTRIC HEATER SERIES II INSTALLATION, INSTRUCTION AND SERVICE MANUALS

These accompanying requirements provide additional detail to the designer/installer as to the limitations of cavity design and required clearance spaces for the Platinum Electric Heaters. The designer/installer can select **either** OPTION 1 or OPTION 2 for 2300W/3400W, and only option 3 for the 4500W model.

These instructions **DO NOT** reduce the required cavity space – but seek to clarify as to how to mount the heaters and support the ceiling structure whilst also complying with the requirements.

In summary, open space is required in the combustion free zone – with the exclusion of structural members as indicated - to ensure the heater and surrounds stay below safe operating temperatures. **Surrounding materials at the edge of the COMBSTIBLE FREE ZONE MUST BE RATED FOR OPERATION AT 149 °F** Summary of Details:perature. The construction of a heater box is not required.

- First row of structural members, immediate to heater **MUST** be protected by a minimum of 1 x layer of 5/8" fire board rated for 149 F° above ambient temperature – boards to be butt jointed as indicated.
- Section sizes of structural members (timbers/joists/battens) to be determined by building designer/engineers according to building codes, however clearances must be maintained to allow free open ventilation in ceiling space. For the following timber structural members, the cavity heights of free space clearance above the heater must be adjusted:
 - For 2x6" – 4" free space above joists (2300/3400W) or 8" free space above joists (4500W)
 - For 2x8" – 4" free space above heater (2300/3400W) or 8" free space above joists (4500W)
 - For 2x10" – 4" free space above heater (2300/3400W) or 8" free space above joists (4500W)
- The recess kits must be supported along the short side of the kit – fixing along the long side is optional.
- A gap will be present between the recess kit and the fire boards – appropriate spacers should be installed to prevent recess kit deformation.
- Minimum centre to centre spacing of joists – 16" as depicted in diagrams.

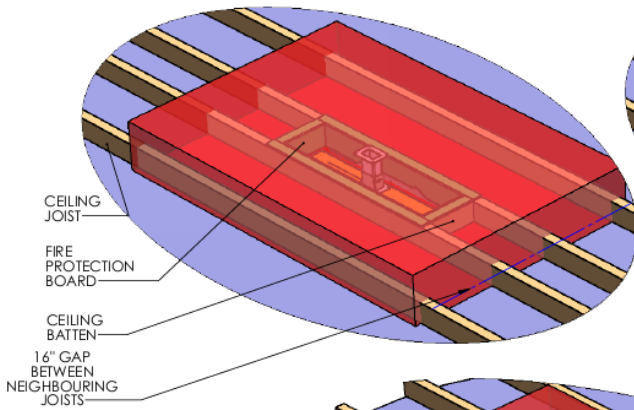
⚠ WARNING ⚠: This heater MUST be permanently installed by an authorised/licenced person. Do not perform maintenance or carry out installation or assembly procedure while electrical power is switched on. Wait 2 hours after switching off the heater before handling.

ISOMETRIC VIEWS DEPICTING RECESS KIT COMBUSTIBLE FREE ZONES

RED REGIONS REPRESENT COMBUSTIBLE FREE ZONES

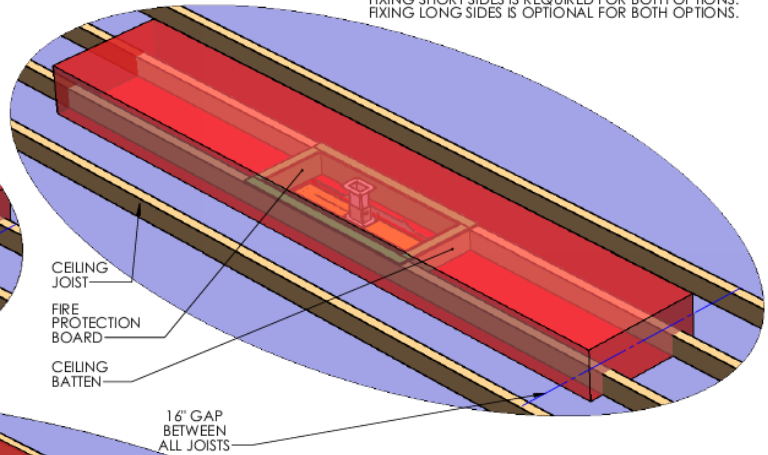
OPTION 1 (2300W/3400W ONLY)

EXAMPLE DEPICTS RECESS KIT FIXED ON ALL SIDES. FIXING SHORT SIDES IS REQUIRED FOR BOTH OPTIONS. FIXING LONG SIDES IS OPTIONAL FOR BOTH OPTIONS.



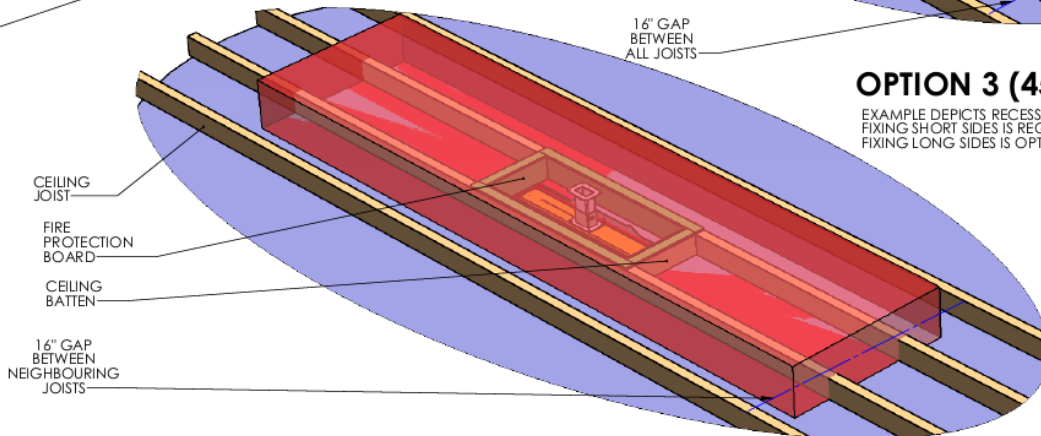
OPTION 2 (2300W/3400W ONLY)

EXAMPLE DEPICTS RECESS KIT FIXED ONLY ON SHORT SIDES. FIXING SHORT SIDES IS REQUIRED FOR BOTH OPTIONS. FIXING LONG SIDES IS OPTIONAL FOR BOTH OPTIONS.

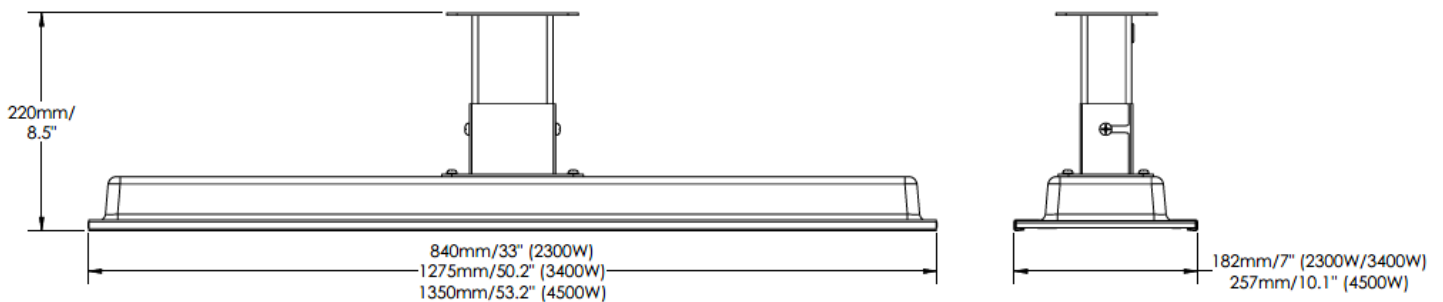


OPTION 3 (4500W ONLY)

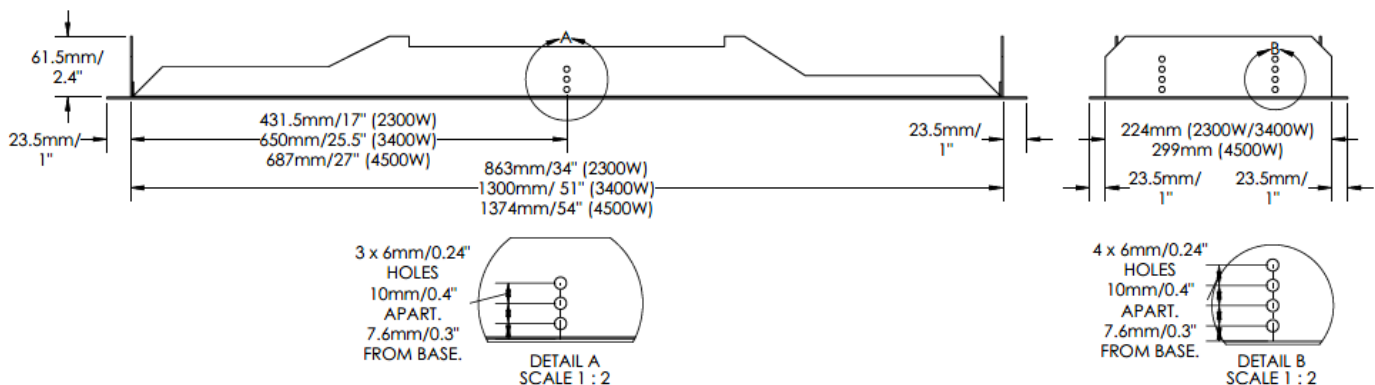
EXAMPLE DEPICTS RECESS KIT FIXED ONLY ON SHORT SIDES. FIXING SHORT SIDES IS REQUIRED FOR BOTH OPTIONS. FIXING LONG SIDES IS OPTIONAL FOR BOTH OPTIONS.



PLATINUM HEATER DIMENSIONS



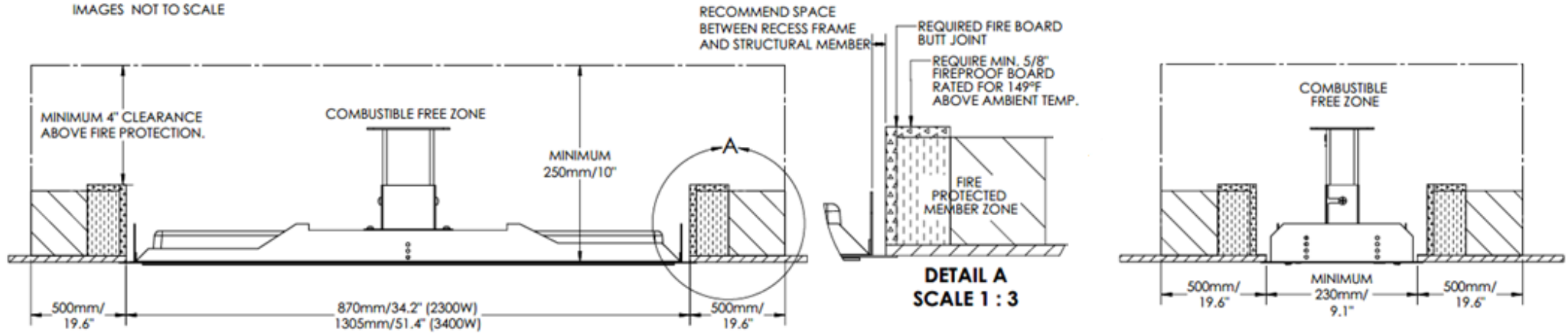
RECESS KIT DIMENSIONS



HEATER SERIES II RECESS KIT CAVITY OPTIONS FOR 2300W / 3400W

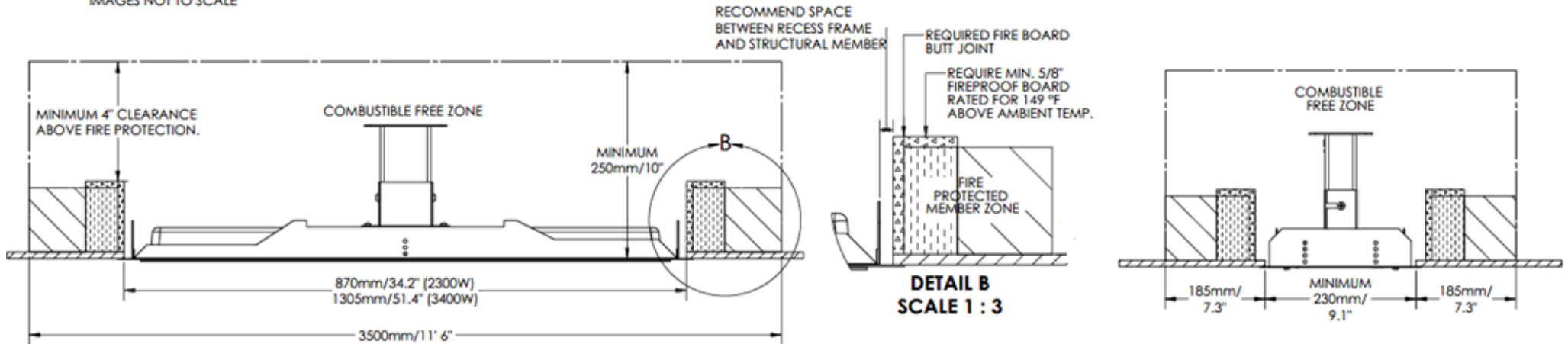
CLEARANCE TO COMBUSTIBLES OPTION 1 (2300W/3400W ONLY)

IMAGES NOT TO SCALE



CLEARANCE TO COMBUSTIBLES OPTION 2 (2300W/3400W ONLY)

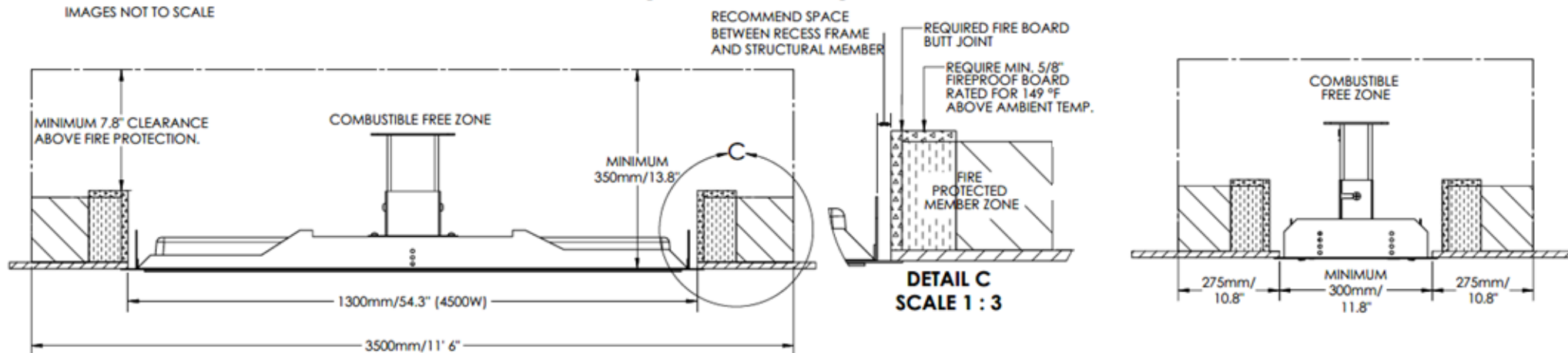
IMAGES NOT TO SCALE



HEATER SERIES II RECESS KIT CAVITY OPTIONS FOR 4500W

CLEARANCE TO COMBUSTIBLES OPTION 3 (4500W ONLY)

IMAGES NOT TO SCALE



⚠ ATTENTION ⚠

- Drawings are NOT TO SCALE.
- The heater shall, under no circumstance, be covered with insulating material or similar material.
- Open Space is required in the combustion free zone.
- Recommended Fire Protection is required ONLY for recess positions utilising Timber.
- All clearances defined within the complete INSTALLATION, INSTRUCTION AND SERVICE MANUAL MUST be met.
- The Instructions within are suitable for ceiling surfaces 10-30mm/0.4-1.2" thick. For ceiling surfaces thicker than 30mm/1.2", contact Bromic for alternative installation options.

Alfresco Heating
30 Pamaron Way, Suite A, Novato CA 94949 Toll
Free: 888-WARM-GLO (888-927-6456)
www.Alfresco-Heating.com