

## 32,000 BTU OUTDOOR PATIO HEATER



### DANGER

If you smell gas:

1. Shut off gas to the appliance.
2. Extinguish any open flame
3. If odor continues, keep away from the appliance and immediately call your gas supplier or fire department.



### DANGER

Do not store or use gasoline or other flammable vapors and liquids in the vicinity of this or any other appliance.

A propane cylinder not connected for use shall not be stored in the vicinity of this or any other appliance.



### WARNING

**For Outdoor Use Only.**

#### CAUTION:

Installer: Leave the instruction manual to the user for future use.

Consumer: Please keep this manual for future reference.



Model #: OH-M932B / OH-M932BL

## Owner's Manual



Read the instructions before use.  
This appliance must be installed in accordance with such regulations as are in force.




Questions, problems, missing / replacement parts? Before returning to your retailer, call our customer service department at +1-877-782-4482, 9AM – 5PM, EST, Monday-Friday.

Alfresco Heating 30 Pamaron Way, Suite A, Novato CA 94949

## WARNINGS AND CAUTIONS

 <h3 style="margin: 0;">DANGER</h3>	<h4 style="text-align: center; margin: 0;">CARBON MONOXIDE HAZARD</h4> <p>This appliance can produce carbon monoxide which has no odor.</p> <p>Using it in an enclosed space can kill you.</p> <p>Never use this appliance in an enclosed space such as a camper, tent, car or home.</p>
	



**WARNING:** Improper installation, adjustment, alteration, service or maintenance can cause property damage, injury or death. Read the installation, operating and maintenance instructions thoroughly before installing or servicing this equipment.

### SPECIFICATION

Certification	CSA
Product size	74" x 31.5" x 93.7" (1880x800x2380mm)
Rated heat input	32,000 BTU/hr
Fuel	Propane
Gas Supply	20lb (9kg) propane gas cylinder (18-1/4" high, 12-1/4" diameter)
Manifold pressure	3PSI
Diameter of injector	0.039" (0.99 mm)
Safety features	Flame failure device, anti-tilt switch
Gas supply pressure	Max. 250 PSI, Min. 5 PSI
Battery	Size D 2pcs

## WARNINGS AND CAUTIONS

### NOTE: PLEASE READ THE FOLLOWING SAFETY RULES

#### WARNING:

The installation must conform with local codes or, in the absence of local codes, with the National Fuel Gas Code, ANSI Z223.1/NFPA 54, NFPA58 Natural Gas and Propane Installation Code, CSA B149.1, or Propane Storage and Handling Code, B149.2

The heater, when installed, must be electrically grounded in accordance with local codes or, in the absence of local codes, with the National Electrical Code, ANSI/NFPA 70, or the Canadian Electrical Code, CSA C22.1.

Prior to use, check for damaged parts such as hoses, regulators, pilot or burner.

All leak tests should be done with a soapy solution. **NEVER USE AN OPEN FLAME TO CHECK FOR LEAKAGE.**

The propane hose with regulator assembly shall be located out of pathways where people may trip over it or in areas where the hose will not be subject to accidental damage.

**Children and adults should be alerted to the hazards of high surface temperatures and should stay away to avoid burns or clothing ignition.**

**Young children should be carefully supervised when they are in the area of the heater.**

**Clothing or other flammable materials should not be hung from the heater, or placed on or near the heater.**

**Any guard or other protective device removed for servicing the heater must be replaced prior to operating the heater.**

**Installation and repair should be done by a qualified service person. The heater should be inspected before use and at least annually by a qualified service person.**

**More frequent cleaning may be required as necessary. It is imperative that control compartment, burners and circulating air passageways of the heater be kept clean.**

Keeping the appliance area clear and free from combustible materials, gasoline and other flammable vapors and liquids.

Not obstructing the flow of combustion and ventilation air.

Keeping the ventilation opening(s) of the cylinder enclosure free and clear from debris.

This appliance shall be used only in a well-ventilated space and shall not be used in a building, garage or any other enclosed area.

**An appliance may be installed with shelter no more inclusive than:**

**With walls on all sides, but with no overhead cover.**

**Within a partial enclosure which includes an overhead cover and no more than two side walls. These side walls may be parallel, as in a breezeway, or at right angles to each other.**

## WARNINGS AND CAUTIONS

### NOTE: PLEASE READ THE FOLLOWING SAFETY RULES

#### WARNING:

Within a partial enclosure which includes an overhead cover and three side walls, as long as 30 percent or more of the horizontal periphery of the enclosure is permanently open.

This appliance requires 9kg(20lb) Propane supply cylinder.

**The propane supply cylinder to be used must be constructed and marked in accordance with the Specifications for LP-gas cylinders of the U.S. Department of Transportation (DOT); or the Standard for Cylinders, Spheres and Tubes for Transportation of Dangerous Goods and Commission, CAN/CSA-B339, as applicable;**

**Provided with a listed overfilling prevention device; and provided with a cylinder connection device compatible with the connection for the appliance.**

The cylinder be disconnected when the appliance is not in use.

Storage of an appliance indoors is permissible only if the cylinder is disconnected and removed from the appliance.

A cylinder must be stored outdoors in a well-ventilated area out of the reach of children. A disconnected cylinder must have dust caps tightly installed and must not be stored in a building, garage or any other enclosed area.

The pressure regulator and hose assembly supplied with the appliance must be used, replacement pressure regulators and hose assemblies must be those specified by the appliance manufacturer.

Do not store a spare propane cylinder under or near this appliance;

Never fill the cylinder beyond 80 percent full;

Do not clean the heater with cleaners that are combustible or corrosive.

Place the dust cap on the cylinder valve outlet whenever the cylinder is not in use. Only install the type of dust cap on the cylinder valve that is provided with the cylinder valve. Other types of caps or plugs may result in leakage of propane.

Certain materials or items, when stored under the heater, will be subjected to radiant heat and could be seriously damaged.

Inspect the visible portion of the hose before each use of the appliance and inspect the entire hose assembly at least annually.

The cylinder used must include a collar to protect the cylinder valve.

#### **WARNING**

This product can expose you to chemicals including soot, which is known to the State of California to cause cancer, and carbon monoxide, which is known to the State of California to cause birth defects or other reproductive harm. For more information, go to: [www.P65Warnings.ca.gov](http://www.P65Warnings.ca.gov).

## WARNINGS AND CAUTIONS

### NOTE: PLEASE READ THE FOLLOWING SAFETY RULES:

Perform a leak test with a soapy solution:

1. To check gas connections.
2. After connecting a new cylinder.
3. Upon re-assembly after disassembly.

This heater is designed to operate with a standard 20 lb propane cylinder with Approved Cylinder Connection.

## PREPARATION

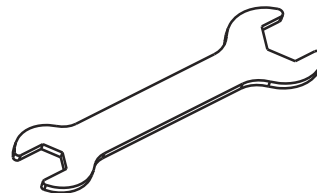
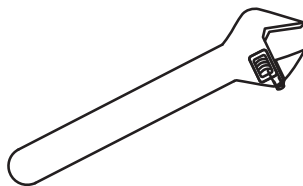
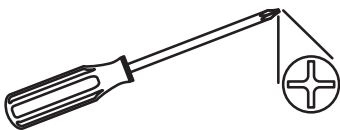
Before beginning assembly of product, make sure all parts are present. If any part is missing or damaged, do not attempt to assemble the product. Contact customer service for replacement parts.

### TOOLS NEEDED:

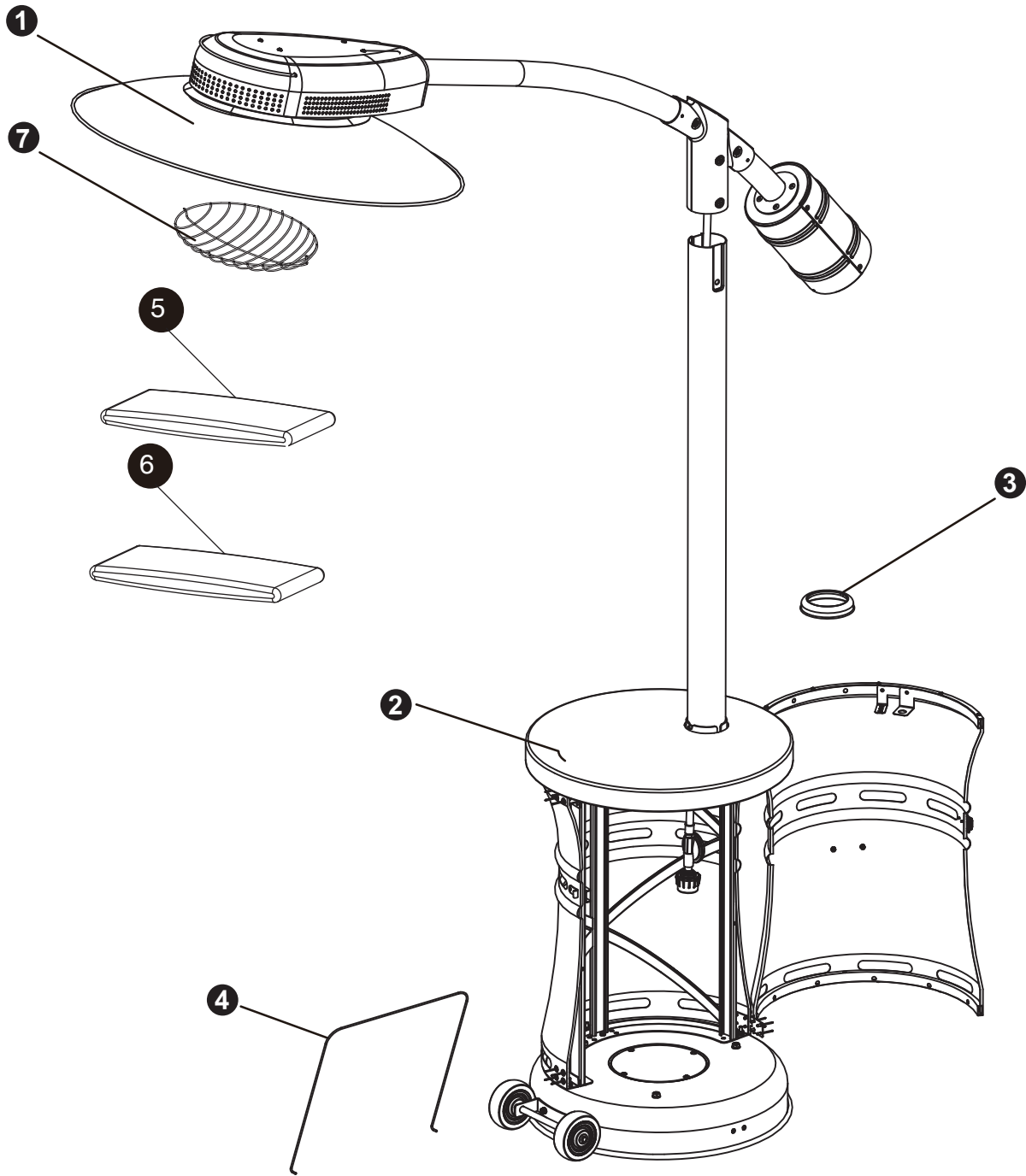
Philips screwdriver

Adjustable open end wrench

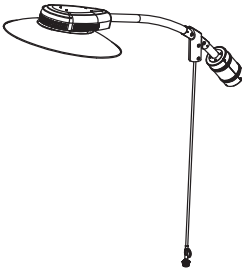
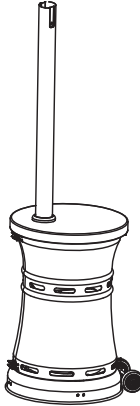

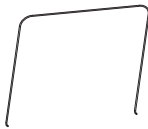


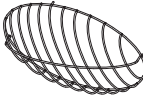
Non-adjustable wrench



**EXPLODED VIEW**



**PARTS LIST**

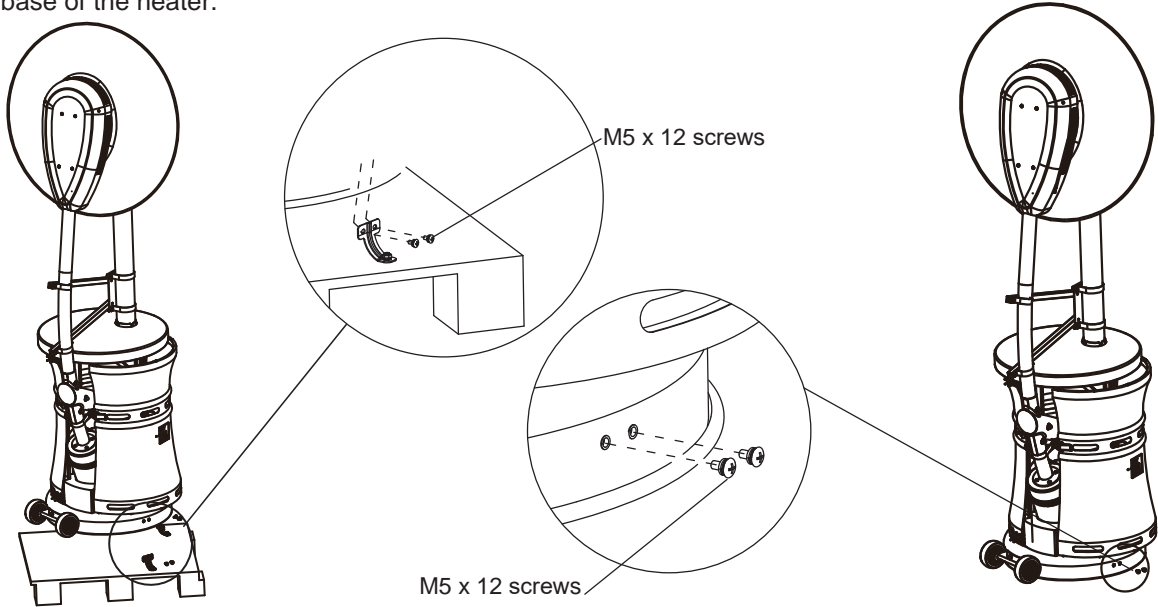
Part #	Description	Picture	Qty
1	Transom assembly		1
2	Pole & base assembly		1
3	Decorative cover		1
4	Cylinder fixing hook		1
5	Cover (Transom assembly)		1
6	Cover (Base)		1
7	Protective cover		1

# BEFORE ASSEMBLY

NOTE: PLEASE FOLLOW THE FOLLOWING STEPS TO REMOVE THE PALLET

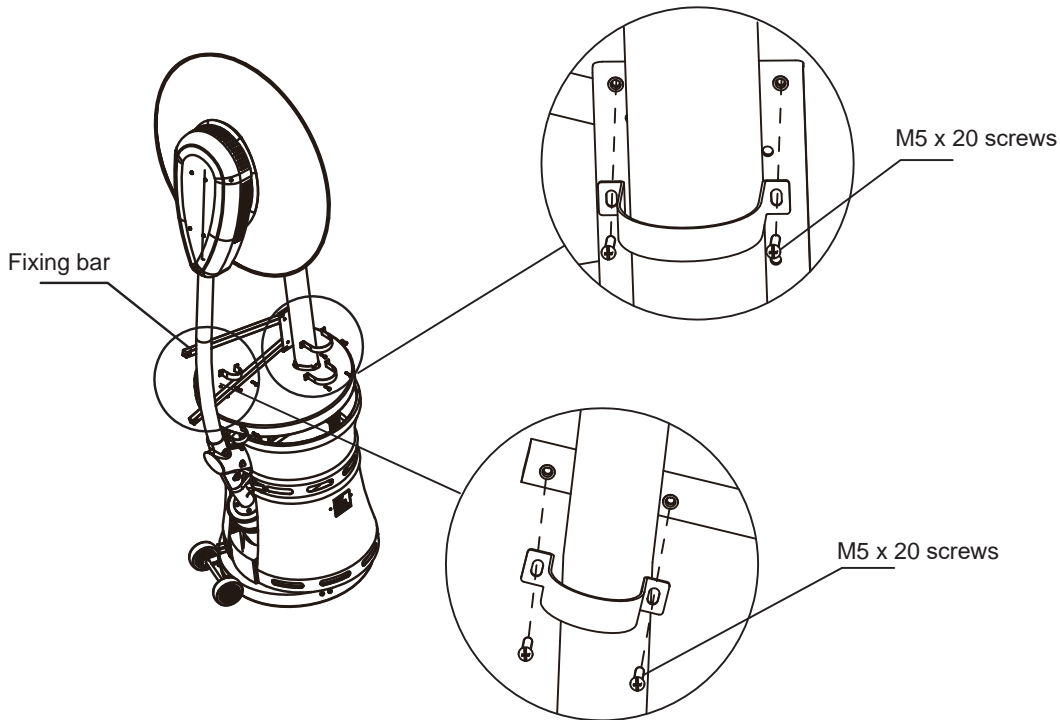
## STEP 1

Unscrew 6pcs M5 x 12 screws to remove the heater from the pallet, and then screw these 6pcs M5 x 12 screws back to the base of the heater.



## STEP 2

Unscrew 8pcs M5 x 20 screws from fixing bar.



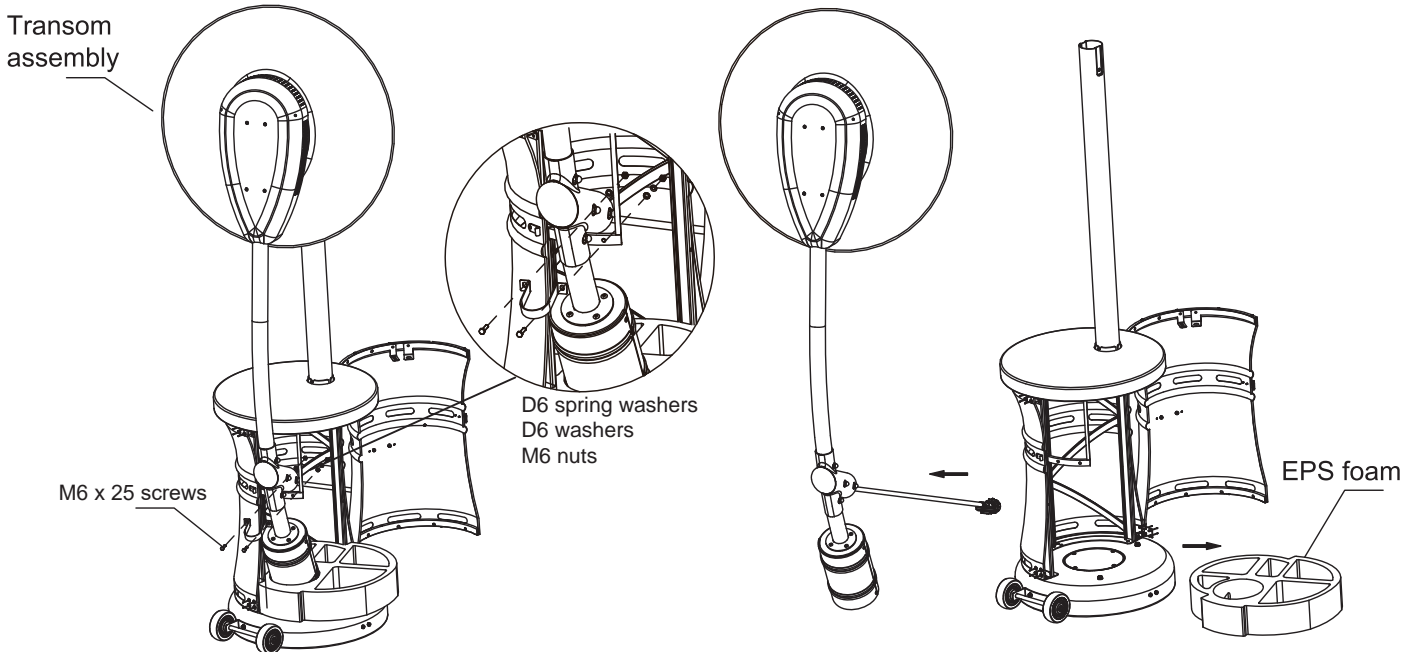


# BEFORE ASSEMBLY

NOTE: PLEASE FOLLOW THE FOLLOWING STEPS TO REMOVE THE PALLET

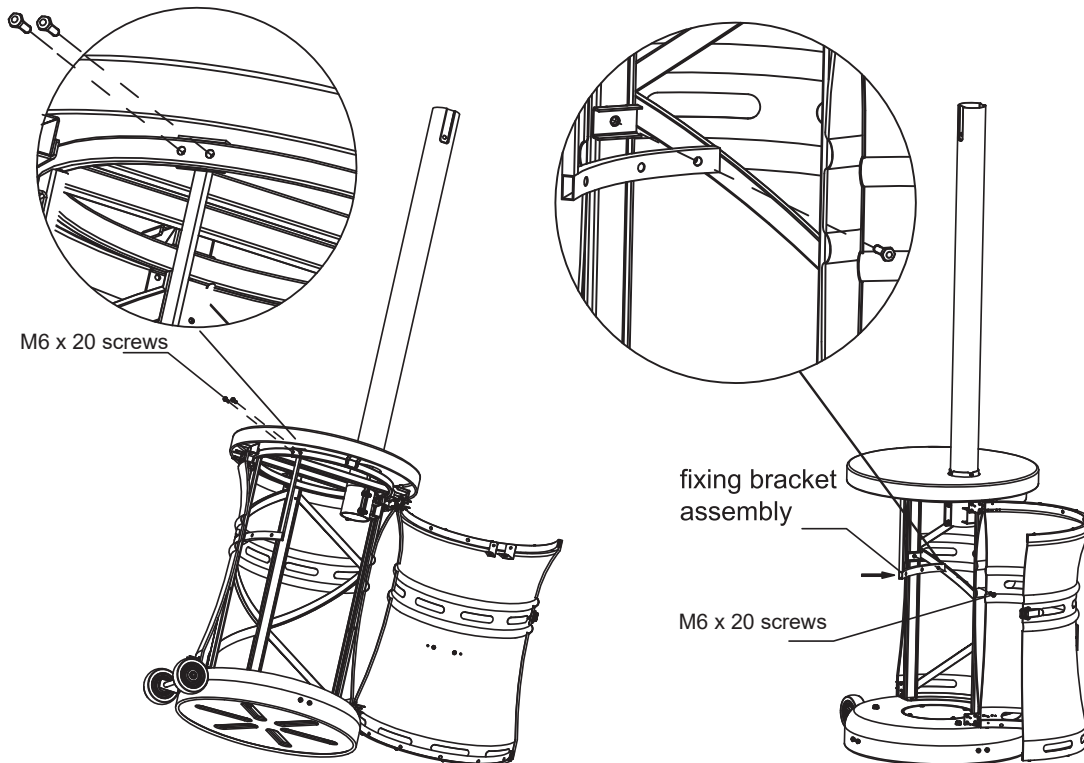
### STEP 3

Unscrew 2pcs M6 x 25 screws, D6 spring washers, D6 washers and N6 nuts to remove the transom assembly (1) from the base. Then take out the EPS foam.



### STEP 4

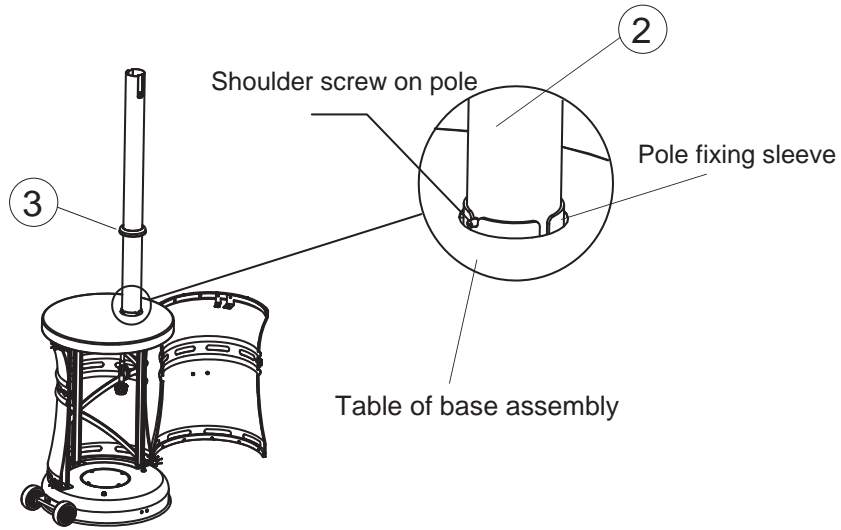
Unscrew 3pcs M6x20 screws to remove the fixing bracket assembly on the base.



## ASSEMBLY INSTRUCTIONS

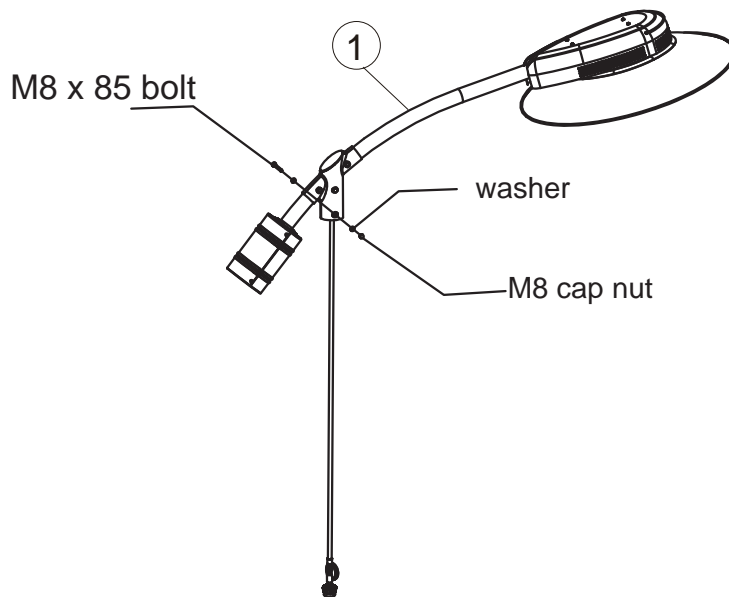
### STEP 1

Put the decorative cover (3) through the pole (2) and place it on the tabletop.



### STEP 2

Unscrew lowest positioned M8 x 85 bolt, washer and M8 cap nut on transom assembly (1) as illustration.

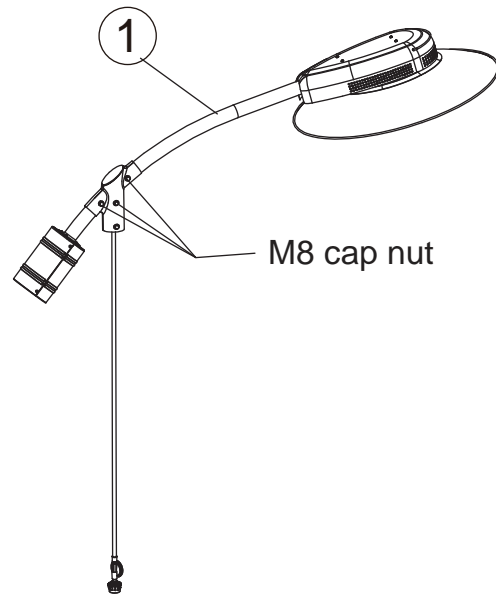


## ASSEMBLY INSTRUCTIONS

### STEP 3

Half-loosen other 3pcs M8 cap nuts on Transom assembly (1).

Note: Do not take out!

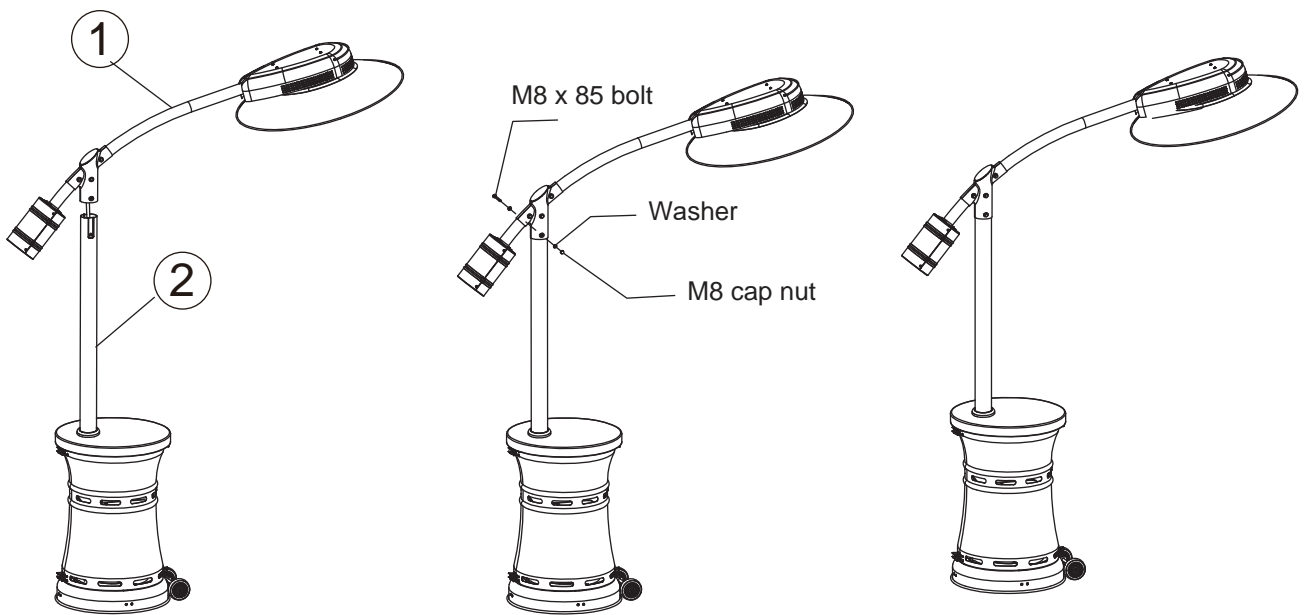


### STEP 4

Make sure the reflector is at the same side as wheels.

Insert the hose and regulator through the pole (2) and place the transom assembly (1) on the pole (2). Insert M8 x 85 bolt through the hole of transom assembly (1) and pole (2) and secure them with washer & M8 cap nut. Finally tighten other 3pcs M8 cap nuts.

Note: It is recommended that two people perform this step with extra caution.



## ASSEMBLY INSTRUCTIONS

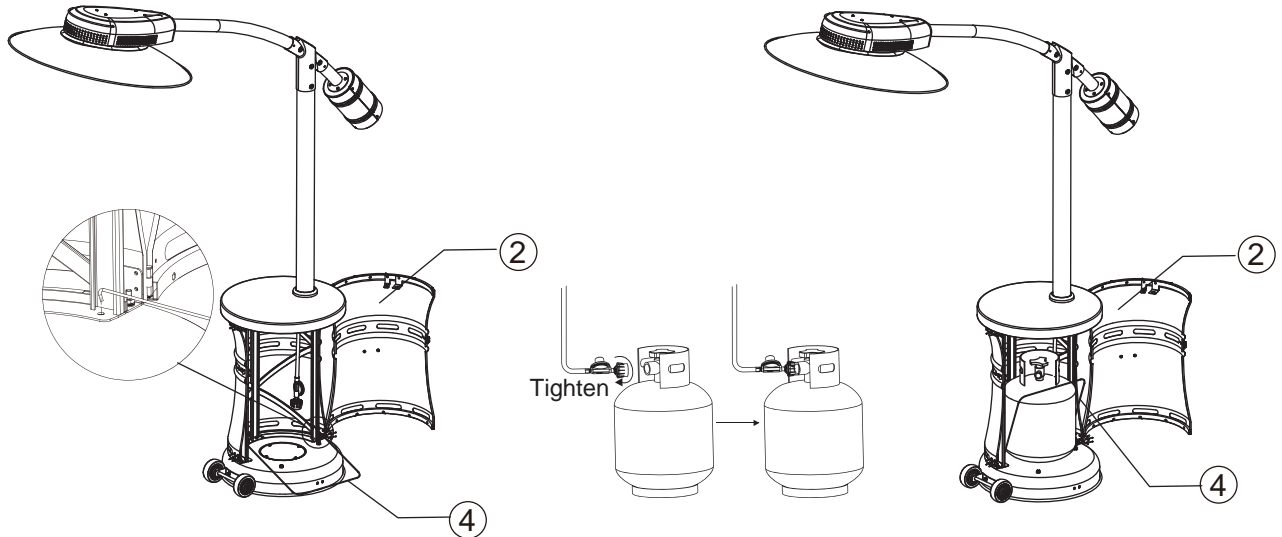
### STEP 5

Insert cylinder fixing hook (4) into holes on base assembly (2).

Place the gas cylinder (not included) into the base assembly (2) and fix it with cylinder fixing hook (4).

Attach the regulator to the cylinder and turn clockwise to securely tighten the valve. Close and latch the door.

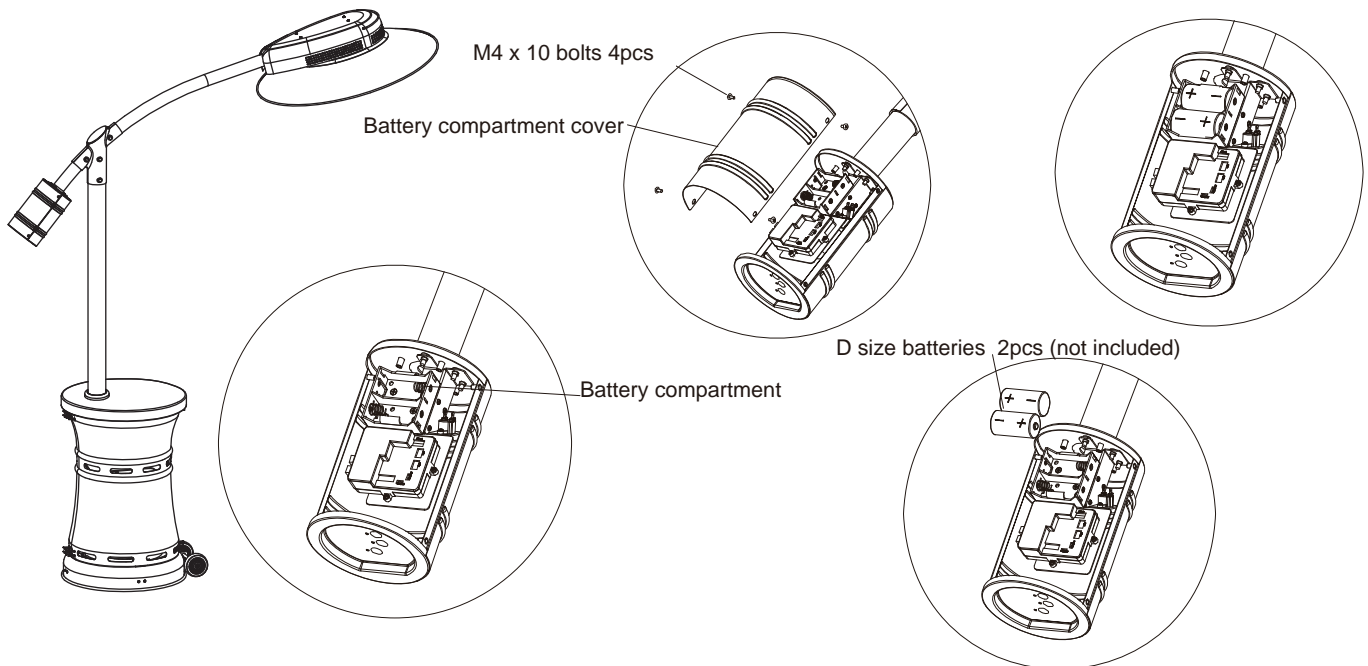
Note: Make sure to check for leaks after attaching the cylinder. (For instructions, refer to the "check for leaks" section of this manual.)



### STEP 6

Unscrew 4pcs M4 x 10 bolts to take off battery compartment cover, place 2pcs 1.5V D size batteries (not included) into battery compartment. Then secure the battery compartment cover back to position with 4pcs M4 x 10 bolts.

Note: Please take out batteries from battery compartment during periods of extended inactivity.

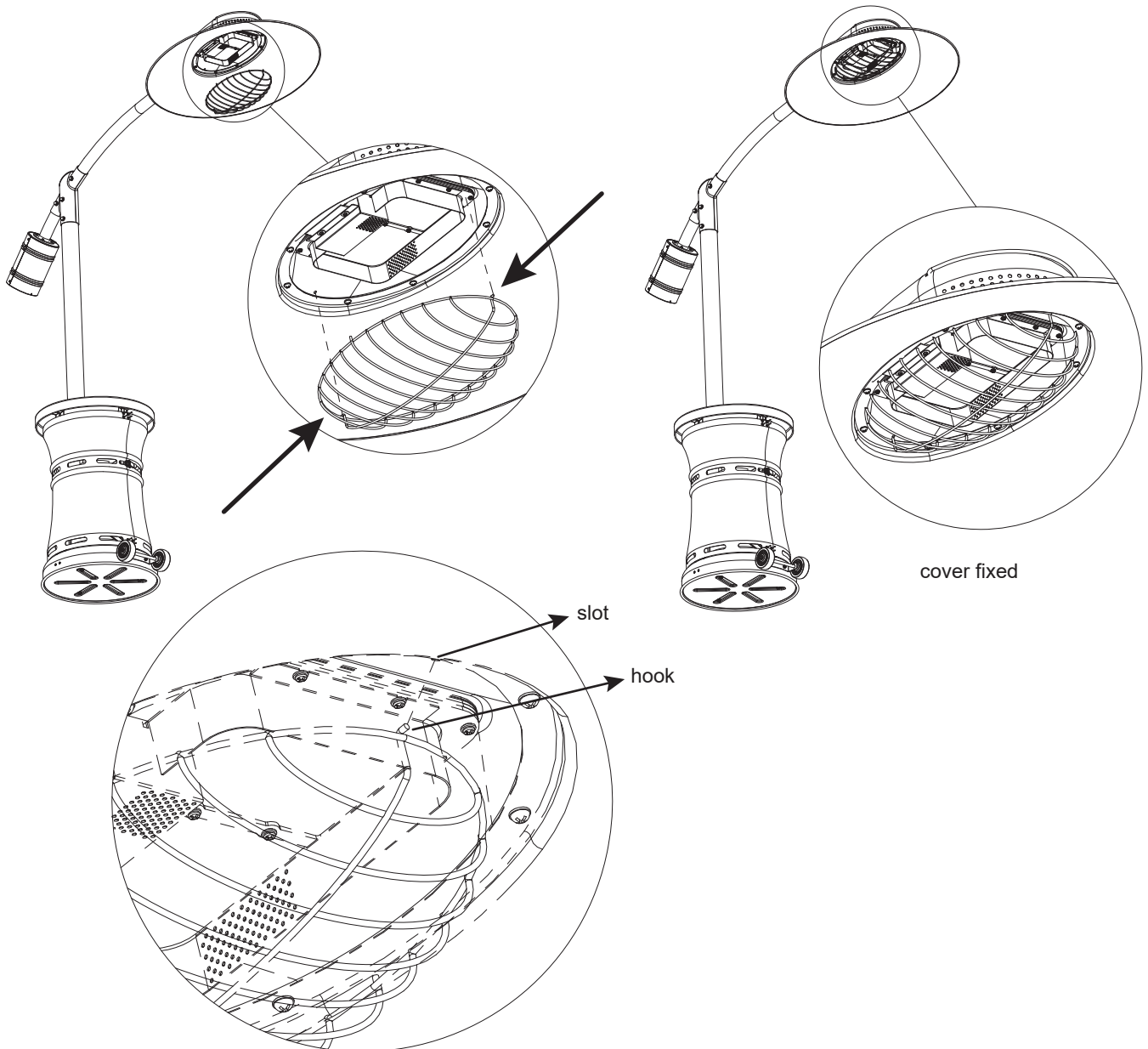


## ASSEMBLY INSTRUCTIONS

### STEP 7

Press the protective cover (7) as illustration, then align the hook with slot on the burner head, then loosen your hands when cover fixed.

Note: Protective cover (7) packed with PVC cover in the base assembly.



**SAFETY CHECK**

**WARNING : ONLY AN AUTHORIZED GAS TECHNICIAN SHOULD INSTALL THIS PRODUCT.**

**Check for leaks**

All connections on the patio heater have been checked for leakage at the factory. In transportation and handling some connections may have loosened. Follow these steps to check the gas hose/regulator/cylinder connections:

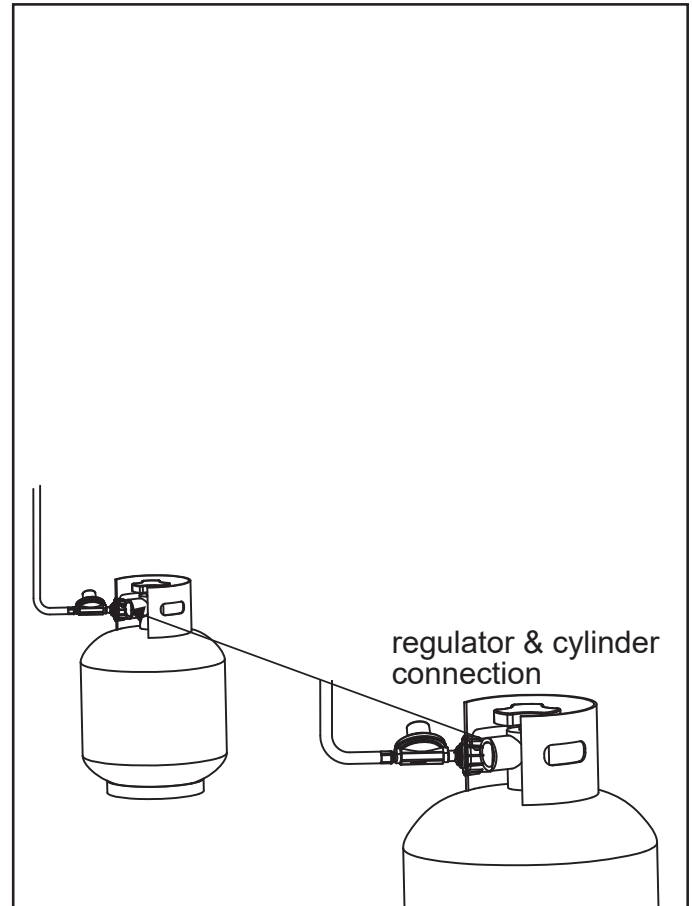
- 1) Make leakage solution by mixing 1 part liquid dish soap and 3 parts water.
- 2) Spoon or brush several drops (or use squirt bottle) of the solution onto hose connection, regulator & cylinder connection.
- 3) Turn on gas cylinder valve. Inspect the connections and look for bubbles.
- 4) If no bubbles appear, the connection is safe.
- 5) If bubbles appear, there is leakage. Loosen and re-tighten this connection. If connection still leaks, please call customer service:  
+1-877-782-4482

**Note:**

- 1) The cylinder supply system must be arranged for vapor withdrawal;
- 2) The cylinder used must include a collar to protect the cylinder valve.

The hose assembly must be replaced prior to the appliance being put into operation if there is evidence of excessive abrasion or wear, or if the hose is damaged.

At least once a year, a complete inspection of the entire gas path components should be performed. If there is need to replace parts, proceed to leak test after reassembly (These procedures should be performed by a professional technician).

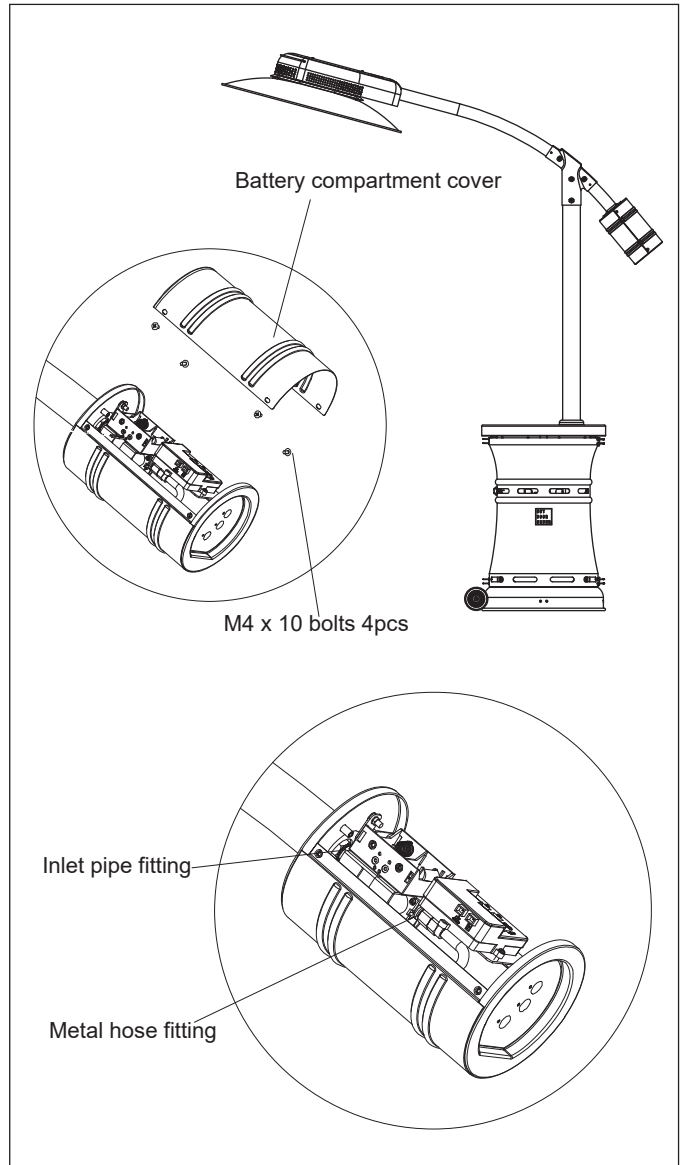


## SAFETY CHECK

**WARNING: ONLY AN AUTHORIZED GAS TECHNICIAN SHOULD INSTALL THIS PRODUCT. PROPER ASSEMBLY IS THE RESPONSIBILITY OF THE INSTALLER.**

**Annual check operation:**

- a. Remove the battery compartment cover by un-screwing 4pcs M4 x 10 bolts.
- b. Turn on propane cylinder valve.
- c. Spoon several drops (or use squirt bottle) of the solution onto inlet pipe fitting and metal hose fitting.
- d. Inspect the connections and look for bubbles.
- e. If no bubbles appear, the connection is safe.
- f. If bubbles appear, there is a leak. Shut off the propane cylinder valve, loosen and then re-tighten this connection.
- g. Check for leaks again.
- h. If bubbles still appear, close the propane cylinder valve and call our customer service line. Do not attempt to use the heater.
- i. Hose checking step:
  - (1) Unscrew 2pcs M8 x 55 bolts , 2pcs M8 x 85 bolts , and 4pcs M8 cap nuts from transom control assembly and transom mounting plate .
  - (2) Pull out the transom control assembly, hose & regulator from the pole.
  - (3) Check if there are cracks or worn sections on the hose. If yes, replace the hose & regulator immediately.
  - (4) Check for leaks according to the above step by step after replacing the hose & regulator.



## OPERATION

**WARNING: DO NOT ATTEMPT TO OPERATE HEATER UNTIL YOU HAVE READ AND UNDERSTAND ALL PRECAUTION . FAILURE TO DO SO CAN RESULT IN SERIOUS PERSONAL INJURY, DEATH, OR PROPERTY DAMAGE.**

### Before turning gas supply ON

Your heater was designed and approved for OUTDOOR USE ONLY. DO NOT use it inside a building or any other enclosed area.

Make sure surrounding areas are free of combustible materials, gasoline, and other flammable vapors or liquids.

Ensure that there is no obstruction to air ventilation.

Be sure all gas connections are tight and there are no leaks.

Be sure the access panel is clear of debris.

Be sure any component removed during assembly or servicing is replaced and fastened prior to starting.

### Before Lighting

Heater should be thoroughly inspected before each use, and by a qualified service person at least annually.

If relighting a hot heater, always wait at least 5 minutes.

### Lighting instructions

- 1) Turn propane gas valve to fully open position and press “⏻” button on the control panel. If the sparks stop and burner does not stay lit, press the button “⏻” again to ignite after 10 seconds.
- 2) When the burner is lit, press “▲▲▲” or “▲” to desired heat output between High and Low.
- 3) To shut off heater, press “⏻” again, then turn propane cylinder gas valve to closed position. If you want to relight the heater, wait 5 minutes, and then repeat the Steps 1 to 2.

#### WARNING

FOR YOUR SAFETY:

If at any time you are unable to light burner and smell gas, wait 5 minutes to allow gas to dissipate before attempting to light heater. If after 1 minute, you are unable to light burner, wait 5 minutes and allow flammable vapors to dissipate before attempting to light heater.

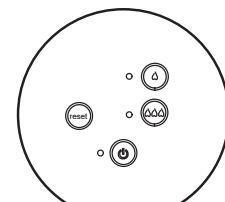
#### WARNING

FOR YOUR SAFETY:

DO NOT touch or move heater for at least 45 minutes after use. Allow emitter and dome to cool before touching.

#### WARNING

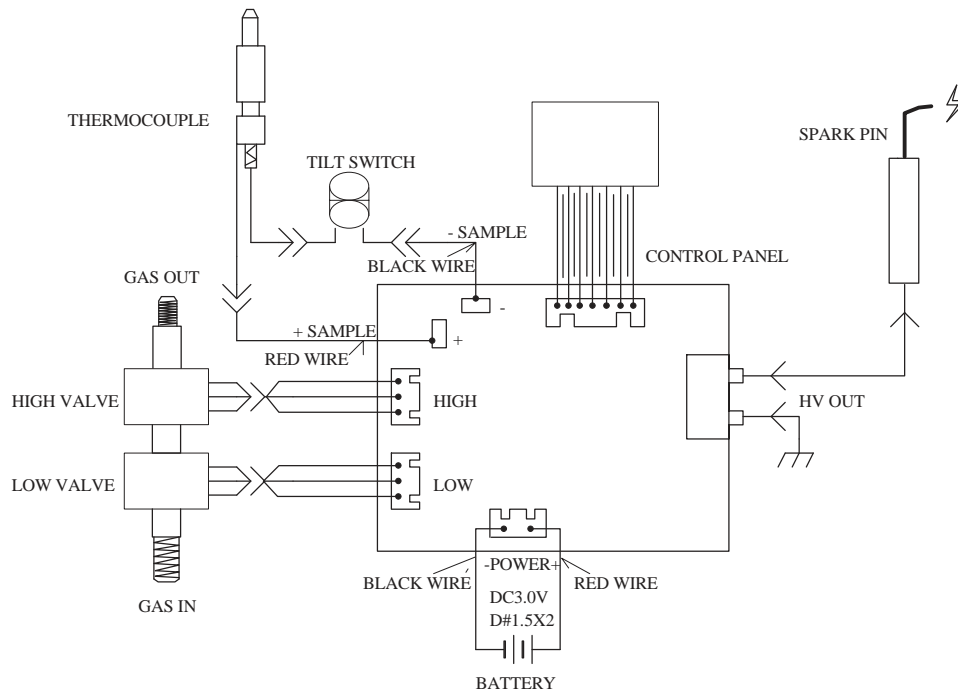
Lighting operations should comply with Lighting Instruction section. Improper lighting operations will cause serious injury and explosion.





**OPERATION**

**CURVE WIRING DIAGRAM**



**Flame Combustion Characteristics:**

1. Under normal circumstances, when igniting the burner, the flame on the metallic sintered mesh presents reddish, and it is acceptable if there is slight visible flame occasionally occurs.
2. If there is a mass of yellow flame appeared on the metallic sintered mesh of the burner, spreading out around the burner, it is evaluated as abnormal burning. The appliance should be shut off immediately, inspected and repaired by a professional technician.

**OPERATION**

**CAUTION :** AVOID INHALING FUMES EMITTED FROM THE HEATER'S FIRST USE. SMOKE AND ODOR FROM THE BURNING OF OILS USED IN MANUFACTURING WILL APPEAR. BOTH SMOKE AND ODOR WILL DISSIPATE AFTER APPROXIMATELY 15 MINUTES. THE HEATER SHOULD NOT PRODUCE THICK BLACK SMOKE.

**NOTE:**

The burner may be noisy when initially turned on. To eliminate excessive noise from the burner, press the control knob to the "▲" position. Then, press the knob to the level of heat desired.

**When heater is ON:**

Emitter screen will become bright red due to intense heat. The color is more visible at night. Burner will present reddish in normally. These flames should not be yellow or produce thick black smoke, indicating an obstruction of airflow through the burners.

**Operation pressure checked:**

If the flame is very small, this is because the supply pressure is not enough. Please refill gas cylinder.

**Shut down instructions:**

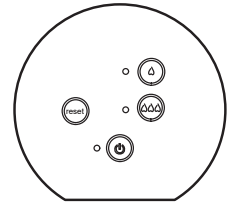
To shut off heater, press "⏻" and then turn propane cylinder gas valve to close position

**Note:** After use, some discoloration of the emitter screen is normal.

**In the event of a Gas Leak**

- 1) Turn propane cylinder valve to "OFF" position.
- 2) Wait 5 minutes to allow gas to dissipate.
- 3) If odor continues, immediately call gas supplier.

**WARNING :** Heater will be hot after use.  
Handle with extreme care.



## LOCATING HEATER FOR USE

**CAUTION: WHEN CERTAIN MATERIALS OR ITEMS ARE LEFT, ABOVE, BESIDE OR UNDER THIS HEATER WHILE IN USE, THEY WILL BE SUBJECT TO RADIANT HEAT AND COULD BE SERIOUSLY DAMAGED.**

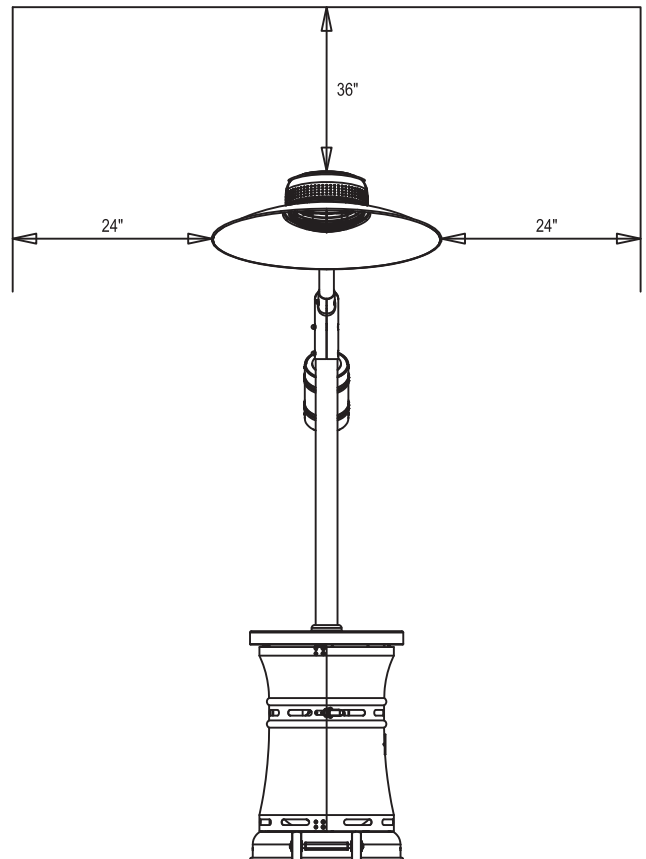
### Minimum clearance from combustible surfaces

This heater is primarily used for the heating of outdoor patios, decks, spas, pools and open working areas.

Always make sure that adequate fresh air ventilation is provided. Follow the spacing tolerances shown in the following figure right at all times.

This heater must be placed on level, firm ground.

Never operate in an explosive atmosphere. Keep away from areas where gasoline or other flammable liquids or vapors are stored or used.



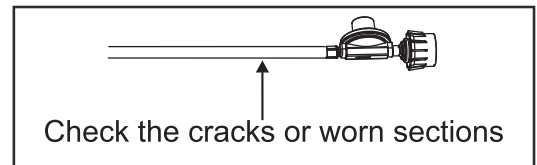
## MAINTENANCE/STORAGE

### CLEANING AND MAINTENANCE :

To enjoy years of outstanding performance from your heater make sure you perform the following maintenance activities on a regular basis:

- Keep exterior surfaces clean.
- Use warm soapy water for cleaning. Never use flammable or corrosive cleaning agents.
- While washing your unit, be sure to keep the area around the burner and pilot assembly dry at all times. If the gas control is exposed to water in any way, do NOT try to use it. It must be replaced.
- Keep the appliance area free and clean from combustible materials, gasoline and other flammable vapors and liquids; not obstructing the flow of combustion and ventilation air; keeping the ventilation opening(s) of the cylinder enclosure free and clear from debris.
- Visually check burner flames.
- Unscrew gas hose and regulator with adjustable open end wrench.
- Unscrew the screws and nuts on transom control assembly and transom mounting plate, take out the burner head assembly.
- Check if there are cracks or worn sections on hose. If yes, please call our customer service to replace hose.
- **At least once a year, the unit should be inspected** for the presence of spiders, spider webs or other insects.
- Air flow must be unobstructed. Keep controls, burner, and circulating air passageways clean. Signs of possible blockage include:
  - Gas odor with extreme yellow tipping of flame.
  - Heater does NOT reach the desired temperature.
  - Heater glow is excessively uneven.
  - Heater makes popping noises.

**WARNING:**  
**FOR YOUR SAFETY ;**  
DO NOT touch or move heater for at least 45 minutes after use. Allow all burner elements to cool before touching.



**NOTE:**  
In a salt-air environment (such as near an ocean). corrosion occurs more quickly than normal. Frequently check for corroded areas and repair them promptly.

**NOTE:**  
wait until heater is cool before covering.

**MAINTENANCE/STORAGE**

- Spiders and insects can nest in burner or orifices. This dangerous condition can damage heater and render it unsafe for use. Clean burner holes by using a heavy-duty pipe cleaner. Compressed air may help clear away smaller particles.
- Carbon deposits may create a fire hazard. Clean dome with warm soapy water if any carbon deposits develop.
- Have the heater inspected yearly by a qualified service person.

**STORAGE:****Between uses:**

- Turn propane cylinder to "OFF" position.
- Store heater upright in an area sheltered from direct contact with inclement weather (such as rain, sleet, hail, snow, dust and debris).
- If desired, cover heater to protect exterior surfaces and to help prevent build up in air passages.

**During periods of extended inactivity or when transporting;**

- Take out the batteries from the battery compartment.
- Disconnect the regulator from the propane cylinder by turning counter-clockwise and move to a secure, well-ventilated location outdoors. DO NOT store in a location that will exceed 125 degrees F.
- Store heater upright in an area sheltered from direct contact with inclement weather (such as rain, sleet, hail, snow, dust and debris).
- If desired, cover heater to protect exterior surfaces and to help prevent build up in air passages.

**NOTE:**

wait until heater is cool before covering.

**TROUBLESHOOTING**

<b>PROBLEM</b>	<b>PROBABLE CAUSE</b>	<b>SOLUTION</b>
Press the “⏻” button indicator light doesn’t work	a. Battery is dead	a. Replace new battery.
	b. Power cord fall off	b. Connect the power cord according instruction.
	c. Interval between off and on is too short	c. Turning on the heater after 1 minute.
	d. Touch panel is damaged	d. Replace the touch panel or, call customer service for replacement.
Failed ignition 1 when there are some sparks on the top of electrode pin	a. The switch of gas cylinder is closed	a. Turn on the propane cylinder
	b. Gas used up	b. Replace new propane cylinder with enough gas
	c. Not enough battery power	c. Replace new battery
	d. Hole of ignition is in windward position	d. Move the heater and make the ignition hole in leeward position.
	e. Electrode pin is deflective	e. Adjust the electrode pin and make the spark in the area of front of hole
Failed ignition 2 There is not any spark on the top of electrode pin	a. When there is not impulse sound, the power of battery is not enough	a. Replace new battery
	b. When there is impulse sound, the distance between top of electrode pin to the burner is too far	b. Adjust the space to 3-4(mm)
	c. There is some spark out of electrode pin top(creepage)	c. Replace electrode pin or, call customer service for replacement.
“△” and “△△△” button switch failure	a. Power of battery is not enough	a. Replace new battery
	b. The touch panel is damaged	b. Replace new touch panel or, call customer service for replacement
Flameout when heat is on normal working status	a. Gas used out	a. Replace a new LP gas bottle with enough gas
	b. Thermocouple aging	b. Replace thermocouple or, call customer service
	c. Power of battery is not enough	c. Replace new battery
	d. Controller glitch	d. Replace controller or, call customer service
Emitter screen damaged, anamorphic	The emitter screen aging due to used for long time	Replace emitter screen or, call customer service
Burner fall off	The burner aging due to used for long time	Replace the burner or, call customer service

## LIMITED WARRANTY

Thank you for choosing to buy a PARAGON OUTDOOR product. Be sure to have your sales receipt, date of purchase and catalogue/model numbers available when calling.

If you have a question about your PARAGON OUTDOOR heater, please call our **Customer Service Team at 1-877-782-4482** with your serial number and details of where and when you purchased the unit. DO NOT return the product to the place of purchase or ship it back to Paragon Outdoor (PO) without the direction from one of our Customer Service Representatives. Most questions /issues can be solved over the phone by one of our experienced Customer Service representatives.

To help us ensure you receive prompt and efficient service, please register as a Paragon Outdoor owner. There are two ways to do this:

- by completing and returning the enclosed form to us by mail
- online at [www.paragon-outdoor.com](http://www.paragon-outdoor.com)

Registering your product will also confirm ownership of your Paragon Outdoor Heater in the event of an insurance loss and enable us to contact you if necessary.

Terms and conditions of the **Paragon Outdoor 5.3.1. year limited warranty:**

The terms of this warranty are solely subject to the original owner and are at no time transferable. A transfer of ownership will result in immediate termination of this warranty.

This warranty is valid only if the product is purchased from an authorized reseller that has an established direct relationship with the manufacturer.

Proof of purchase will be required before warranty service is rendered. The sales receipt is the only valid proof of purchase. This warranty only covers failures due to defects in materials or workmanship which occur during normal use. Failures and/or damage which result from accident, negligence, misuse, abuse, neglect, mishandling, alteration or modification, failure to maintain, improper assembly or maintenance, service by unauthorized agency or use of unauthorized components or damage that is attributable to acts of God are NOT covered.

### WHAT IS COVERED:

Your Paragon Outdoor heater is warranted against original defects in material and workmanship under normal use for a period of 5 years on the frame, 3 years on the parts and 1 year on the burner from the date of purchase, when used for private household purposes in accordance with the PO Owner's Manual. This warranty provides, at no extra cost to you, all parts to place your heater in proper operating condition during the warranty period.

REGISTERED OWNER IS RESPONSIBLE FOR THE COST OF SHIPPING ON ANY PARTS OR REPLACEMENTS This warranty is subject to the following terms:

### WHAT IS NOT COVERED:

PARAGON OUTDOOR is a division of Paragon Group USA LLC. and shall not be liable for costs incurred as a result of:

FOR IMMEDIATE ASSISTANCE

# PARAGON OUTDOOR

PARAGON OUTDOOR  
CUSTOMER SERVICE:

## LIMITED WARRANTY

- Heaters purchased from an unauthorized dealer.
- Use of parts not in accordance with the Owner's Manual.
- Careless operation or handling, misuse, abuse and/or lack of maintenance or use not in accordance with the Owner's Manual.
- External sources such as weather.
- Repairs or alterations carried out by unauthorized parties or agents.
- Labor Charges or any incidental or consequential expenses.
- Use of the heater other than for normal domestic purposes within the United States, e.g. for commercial or rental purposes.
- Use of parts and accessories other than those produced or recommended by Paragon Outdoor.

If a replacement outdoor heater or part is not available, the manufacturer's liability is limited to the cost of the outdoor heater or \$1,000.00, whichever is less. The manufacturer is not an insurer, and the original owner should purchase insurance to cover damage to property or belongings. The original owner agrees to waive their right to jury trial or to participate in a class action. Also, the original owner agrees to waive subordination to the extent a loss is covered by insurance, so that their insurance company cannot proceed with action against the manufacturer for recovery of any claims. Furthermore, all requests must be arbitrated in the state of New Jersey.

IN NO EVENT WILL PARAGON OUTDOOR, OR ITS DIRECTORS, OFFICERS OR AGENTS BE LIABLE TO THE PURCHASER OR ANY THIRD PARTY, WHETHER IN CONTRACT, IN TORT, OR ON ANY OTHER BASIS, FOR ANY INDIRECT, SPECIAL, PUNITIVE, EXEMPLARY, CONSEQUENTIAL, OR INCIDENTAL LOSS, COST, OR DAMAGE ARISING OUT OF OR IN CONNECTION WITH THE SALE, MAINTENANCE, USE, OR INABILITY TO USE THE PRODUCT, EVEN IF PARAGON OUTDOOR OR ITS DIRECTORS, OFFICERS OR AGENTS HAVE BEEN ADVISED OF THE POSSIBILITY OF SUCH LOSSES, COSTS OR DAMAGES, OR IF SUCH LOSSES, COSTS, OR DAMAGES ARE FORESEEABLE. IN NO EVENT PARAGON OUTDOOR, OR ITS OFFICERS, DIRECTORS, OR AGENTS BE LIABLE FOR ANY DIRECT LOSSES, COSTS OR DAMAGES THAT EXCEED THE PURCHASE PRICE OF THE PRODUCT.

SOME JURISDICTIONS DO NOT ALLOW THE EXCLUSION OR LIMITATION OF INCIDENTAL OR CONSEQUENTIAL DAMAGES, SO THE ABOVE LIMITATION OR EXCLUSION MAY NOT APPLY TO THE PURCHASER.

This limited warranty gives you specific legal rights and you may also have other rights which vary from jurisdiction to jurisdiction. The provisions of the United Nations Convention on Contracts for the Sales of Goods shall not apply to this limited warranty or the sale of products covered by this limited warranty