

OUT
DOOR
ORDER™

AXIS®

OUTDOOR COLLAPSIBLE HEATER



6' Height



Standard 20 lb. Propane Tank



12 Hour Run Time



36,000 BTUs



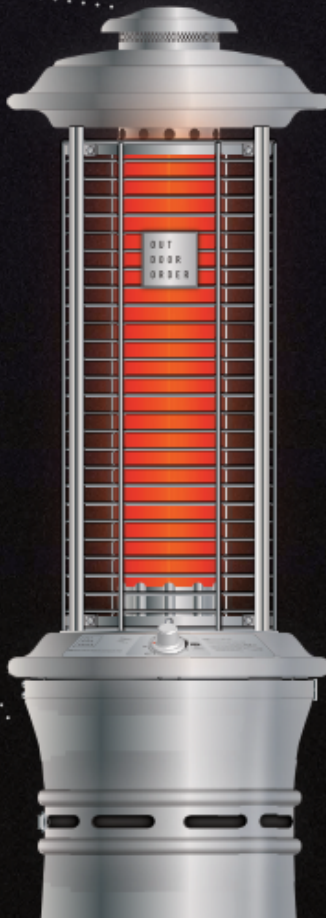
Fuel Efficient

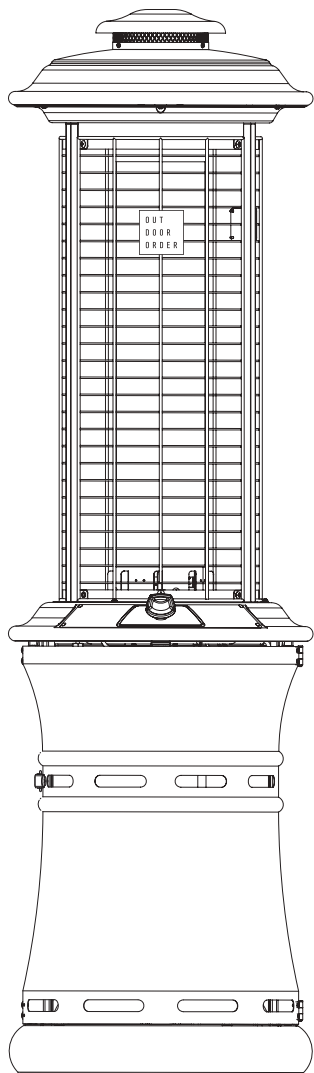


Outdoor Use Only



6 ft. Coverage Area





Model#
ODO-AXIS-LP

Owner's Manual

AXIS OUTDOOR HEATER

DANGER

If you smell gas:

1. Shut off gas to the appliance.
2. Extinguish any open flame.
3. If odor continues, keep away from the appliance and immediately call your gas supplier or fire department.

WARNING

Do not store or use gasoline or other flammable vapors and liquids in the vicinity of this or any other appliance.

An LP-cylinder not connected for use shall not be stored in the vicinity of this or any other appliance.

WARNING: For Outdoor Use Only.

CAUTION:

Installer: Leave the manual instructions to the user for future use.



Consumer: Please keep this manual for future reference.


Read the instructions before use.
This appliance must be installed in accordance with such regulations as are in force.



Questions, problems, missing / replacement parts? Before returning to your retailer, call our customer service department at 1-888-806-8836, 9am - 6pm, PST Monday thru Friday.

WARNINGS AND CAUTIONS

 <h3 style="margin: 0;">DANGER</h3>	<h4 style="text-align: center; margin: 0;">CARBON MONOXIDE HAZARD</h4> <p>This appliance can produce carbon monoxide which has no odor.</p> <p>Using it in an enclosed space can kill you.</p> <p>Never use this appliance in an enclosed space such as a camper, tent or home.</p>
	


WARNING: Improper installation, adjustment, alteration, service or maintenance can cause property damage, injury or death. Read the installation, operating and maintenance instructions thoroughly before installing or servicing this equipment.

SPECIFICATION

Certification	CSA
Height	70.87" (1.80 m)
Rated heat input	36,000 BTU/hr
Fuel	LP
Gas Supply	20 lb (9 kg) LP gas cylinder
Manifold pressure	11" W.C.
Diameter of injector	1/13" (1.90 mm)
Safety features	Flame failure device, anti-tilt switch
Gas supply pressure	Max. 250 PSI, Min. 5 PSI

WARNINGS AND CAUTIONS

NOTE: PLEASE READ THE FOLLOWING SAFETY RULES

WARNING:

The installation must conform with local codes or, in the absence of local codes, with the National Fuel Gas Code, ANSI Z223.1/NFPA 54, NFPA58 Natural Gas and Propane Installation Code, CSA B149.1, or Propane Storage and Handling Code, B149.2

The heater, when installed, must be electrically grounded in accordance with local codes or, in the absence of local codes, with the National Electrical Code, ANSI/NFPA 70, or the Canadian Electrical Code, CSA C22.1.

Prior to use, check for damaged parts such as hoses, regulators, pilot or burner.

All leak tests should be done with a soapy solution. NEVER USE AN OPEN FLAME TO CHECK FOR LEAKAGE.

The propane hose with regulator assembly shall be located out of pathways where people may trip over it or in areas where the hose will not be subject to accidental damage.

Children and adults should be alerted to the hazards of high surface temperatures and should stay away to avoid burns or clothing ignition.

Young children should be carefully supervised when they are in the area of the heater.

Clothing or other flammable materials should not be hung from the heater, or placed on or near the heater.

Any guard or other protective device removed for servicing the heater must be replaced prior to operating the heater.

Installation and repair should be done by a qualified service person. The heater should be inspected before use and at least annually by a qualified service person.

More frequent cleaning may be required as necessary. It is imperative that control compartment, burners and circulating air passageways of the heater be kept clean.

Keeping the appliance area clear and free from combustible materials, gasoline and other flammable vapors and liquids.

Not obstructing the flow of combustion and ventilation air.

Keeping the ventilation opening(s) of the cylinder enclosure free and clear from debris.

This appliance shall be used only in a well-ventilated space and shall not be used in a building, garage or any other enclosed area.

An appliance may be installed with shelter no more inclusive than:

With walls on all sides, but with no overhead cover.

Within a partial enclosure which includes an overhead cover and no more than two side walls. These side walls may be parallel, as in a breezeway, or at right angles to each other.

WARNINGS AND CAUTIONS

NOTE: PLEASE READ THE FOLLOWING SAFETY RULES

WARNING:

Within a partial enclosure which includes an overhead cover and three side walls, as long as 30 percent or more of the horizontal periphery of the enclosure is permanently open.

This appliance requires 9kg(20lb) LP-gas supply cylinder.

The LP-gas supply cylinder to be used must be: Constructed and marked in accordance with the Specifications for LP-gas cylinders of the U.S. Department of Transportation (DOT); or the Standard for Cylinders, Spheres and Tubes for Transportation of Dangerous Goods and Commission, CAN/CSA-B339, as applicable;

Provided with a listed overfilling prevention device; and provided with a cylinder connection device compatible with the connection for the appliance.

The cylinder be disconnected when the appliance is not in use.

Storage of an appliance indoors is permissible only if the cylinder is disconnected and removed from the appliance.

A cylinder must be stored outdoors in a well-ventilated area out of the reach of children. A disconnected cylinder must have dust caps tightly installed and must not be stored in a building, garage or any other enclosed area.

The pressure regulator and hose assembly supplied with the appliance must be used, replacement pressure regulators and hose assemblies must be those specified by the appliance manufacturer.

Do not store a spare LP-gas cylinder under or near this appliance;

Never fill the cylinder beyond 80 percent full;

Do not clean the heater with cleaners that are combustible or corrosive.

Place the dust cap on the cylinder valve outlet whenever the cylinder is not in use. Only install the type of dust cap on the cylinder valve that is provided with the cylinder valve. Other types of caps or plugs may result in leakage of propane.

Certain materials or items, when stored under the heater, will be subjected to radiant heat and could be seriously damaged.

Inspect the visible portion of the hose before each use of the appliance and inspect the entire hose assembly at least annually.

The cylinder used must include a collar to protect the cylinder valve.

WARNINGS AND CAUTIONS

NOTE: PLEASE READ THE FOLLOWING SAFETY RULES:

Perform a leak test with a soapy solution:

1. To check gas connections.
2. After connecting a new cylinder.
3. Upon re-assembly after disassembly.

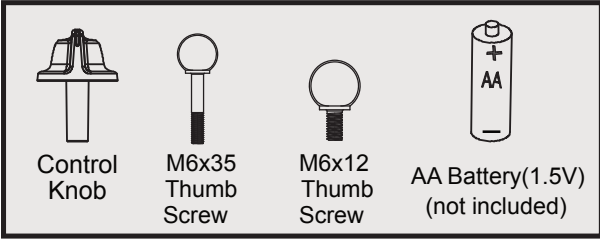
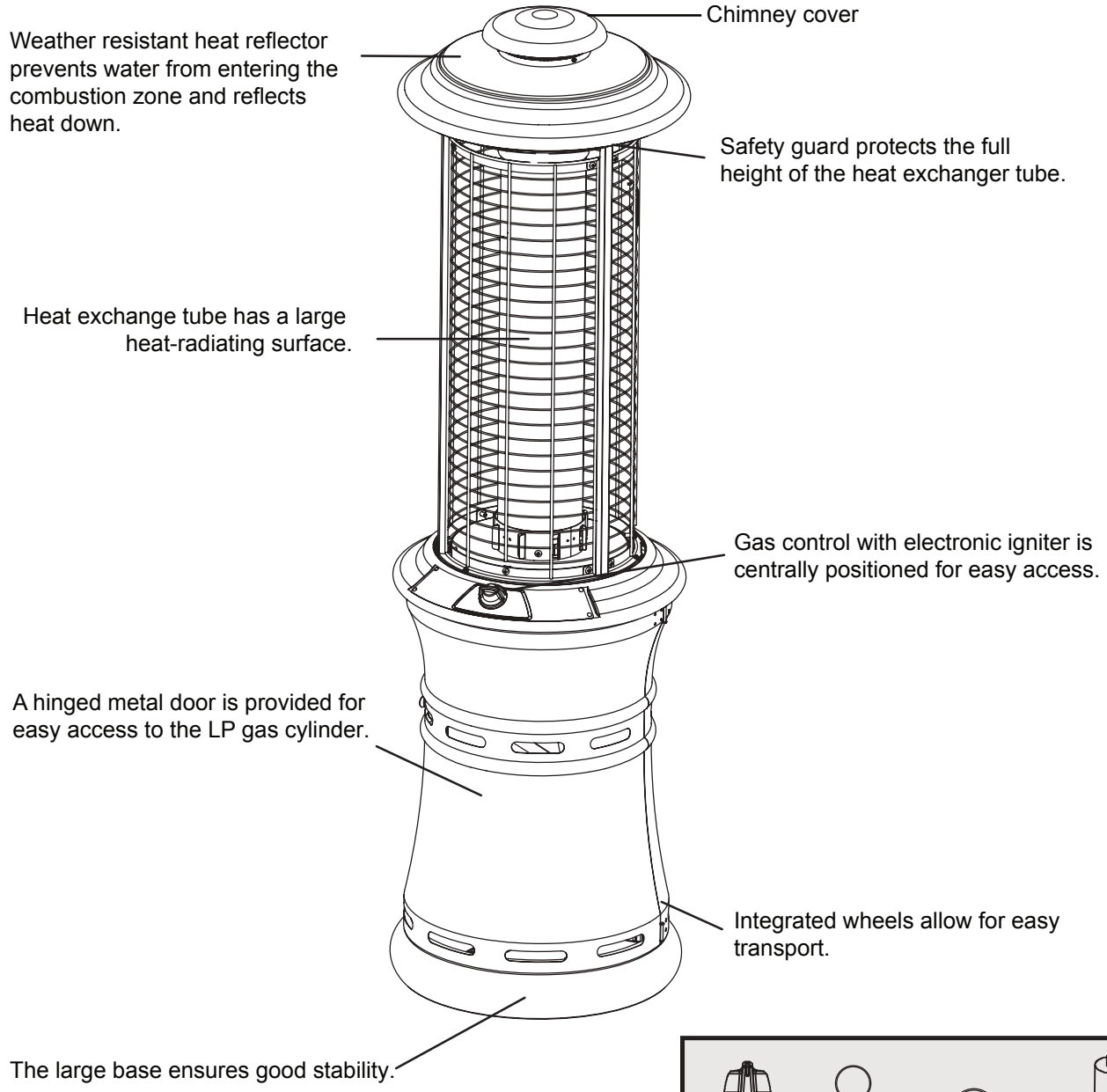
This heater is designed to operate with a standard 20 lb propane cylinder with Approved Cylinder Connection.

PREPARATION

Before beginning assembly of product, make sure all parts are present. If any part is missing or damaged, do not attempt to assemble the product. Contact customer service for replacement parts.

PARTS CONTENTS

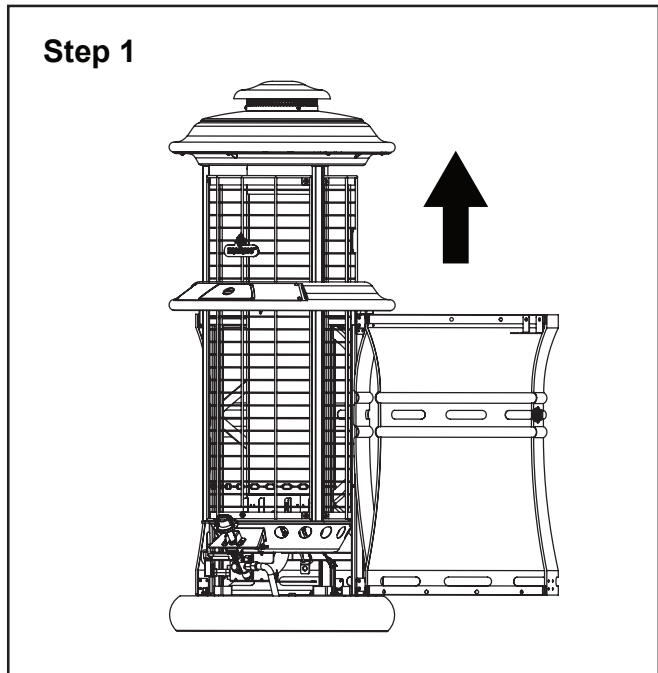
Please check the contents of the packaging as to whether anything is missing!



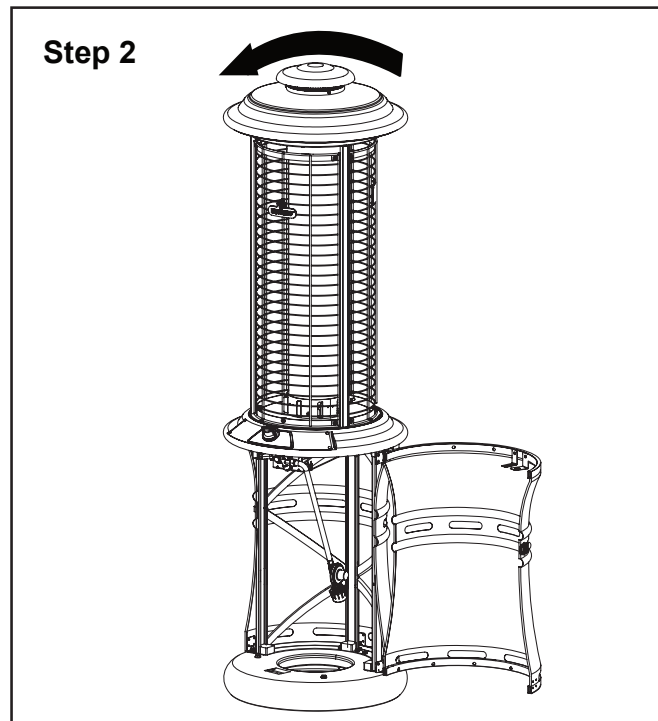
ASSEMBLY INSTRUCTIONS

Warning: This appliance requires installation by a competent person. Proper assembly is the responsibility of the installer.

Step 1: To assemble unit-partially open gas chamber door. Carefully lift heat reflector until entire heat exchange tube is exposed.



Step 2: After heat exchange tube is fully extended, rotate counter-clockwise until stopped.



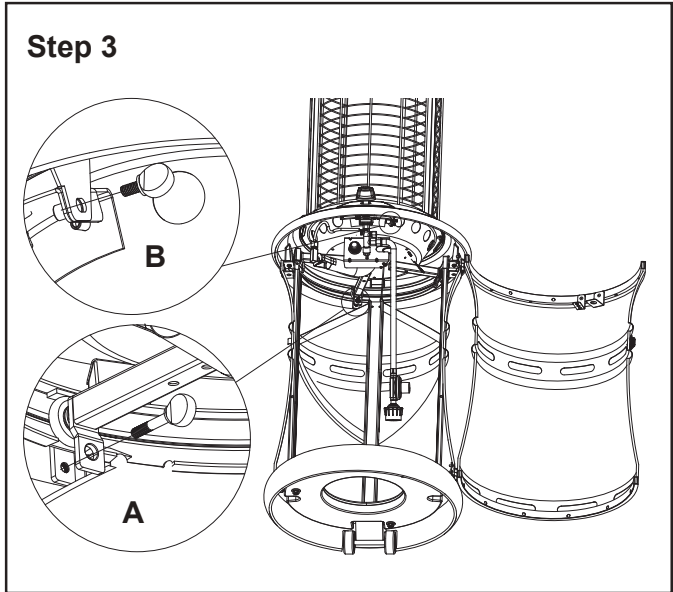
ASSEMBLY INSTRUCTIONS

Warning: This appliance requires installation by a competent person. Proper assembly is the responsibility of the installer.

Step3: Insert M6x35 thumb screw into hole A, and M6x12 thumb screw into hole B. Lock the screws.

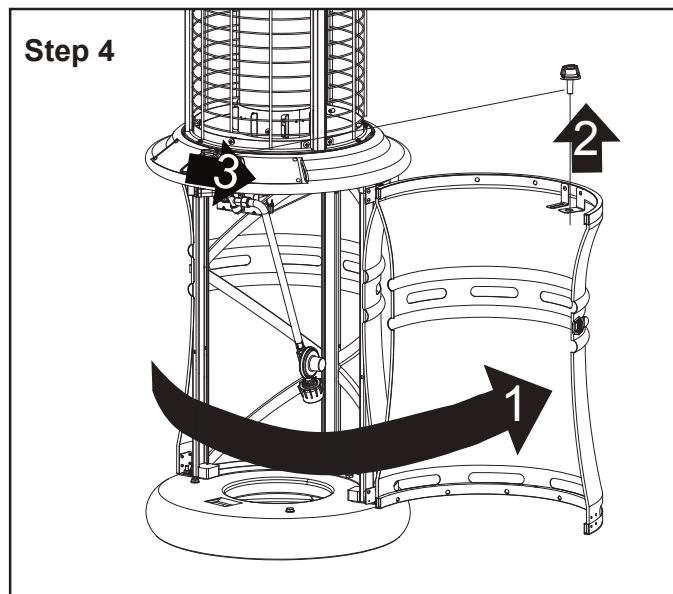
 **CAUTION!**

After raising and pivoting heat exchange tube, tighten two thumb screws to lock into place. Failure to do so could allow heat tube to drop during use. Tighten screws before operation!



Step4: Fully open gas chamber door. Place control knob on control stem.

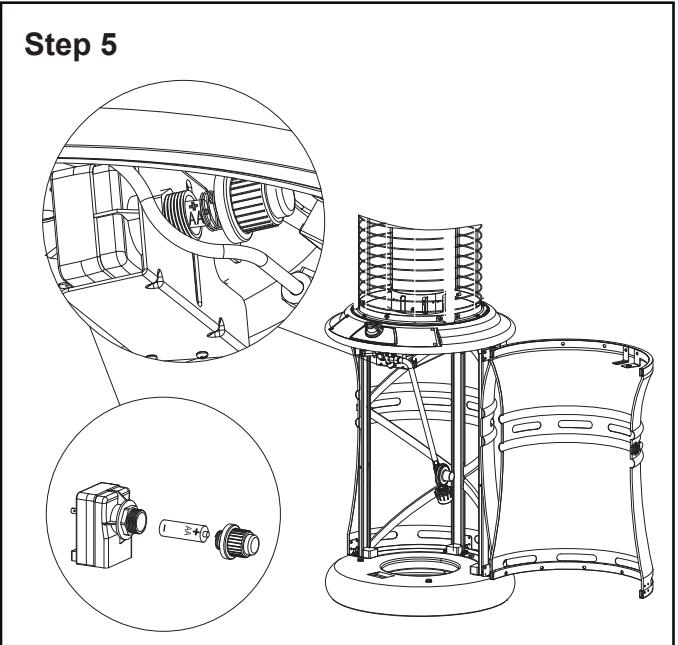
Remove the knob from control stem and store it inside the bracket inside the door when you lower down the heat exchange tube and don't use the heater for a long time.



ASSEMBLY INSTRUCTIONS

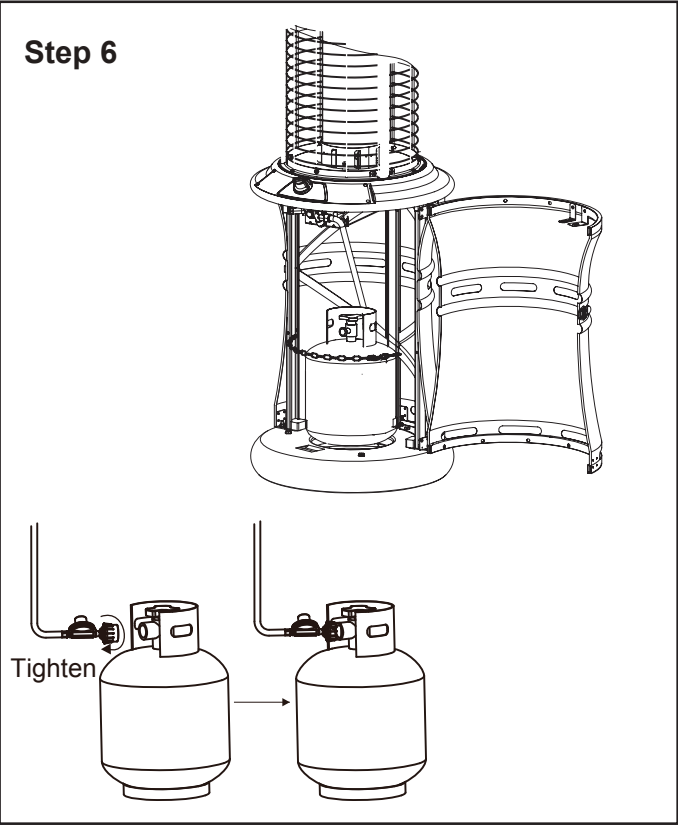
Warning: This appliance requires installation by a competent person. Proper assembly is the responsibility of the installer.

Step5: Place battery in compartment below control panel.



Step6: Place the gas cylinder (not included) into the base assembly, and fix it with fixing chain. Attach the regulator to the cylinder, turn clockwise to tighten it securely, and then close the door.

Note: Make sure to check for leaks once the cylinder has been replaced. (Refer to the "check for leaks" section on page 10)



SAFETY CHECK

WARNING : ONLY AN AUTHORIZED GAS TECHNICIAN SHOULD INSTALL THIS PRODUCT.

Check for leaks

All connections on the patio heater have been checked for leakage at the factory. In transportation and handling some connections may have loosened. Follow these steps to check the gas hose/regulator/cylinder connections:

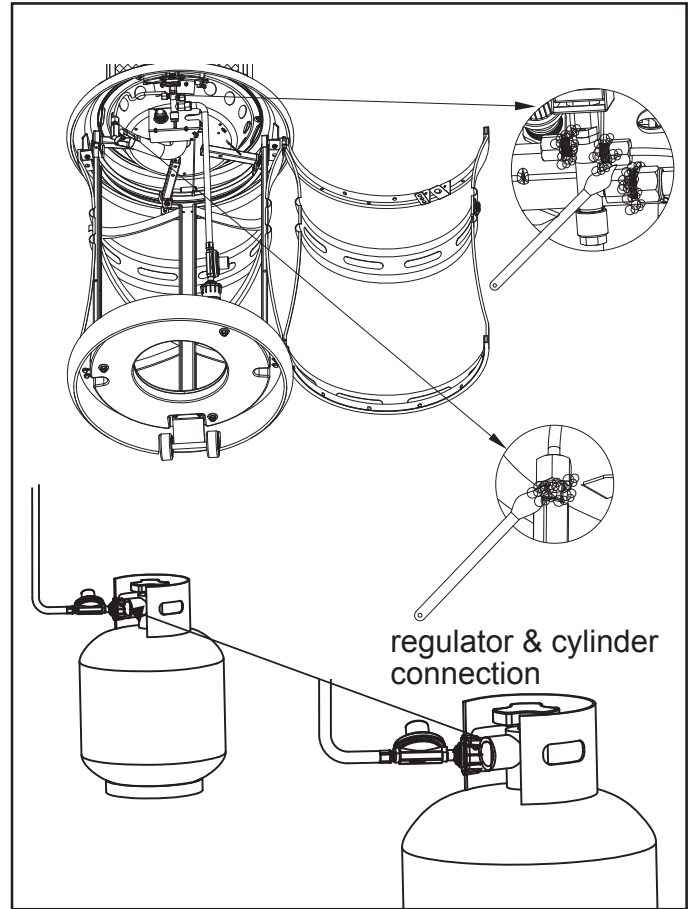
- 1) Make leakage solution by mixing 1 part liquid dish soap and 3 parts water.
- 2) Spoon or brush several drops (or use squirt bottle) of the solution onto hose connection, regulator & cylinder connection.
- 3) Turn on gas cylinder valve. Inspect the connections and look for bubbles.
- 4) If no bubbles appear, the connection is safe.
- 5) If bubbles appear, there is leakage. Loosen and re-tighten this connection. If connection still leaks, please call customer service: 1-888-806-8836.

Note:

- 1) The cylinder supply system must be arranged for vapor withdrawal;
- 2) The cylinder used must include a collar to protect the cylinder valve.

The hose assembly must be replaced prior to the appliance being put into operation if there is evidence of excessive abrasion or wear, or if the hose is damaged.

At least once a year, a complete inspection of the entire gas path components should be performed. If there is need to replace parts, proceed to leak test after reassembly (These procedures should be performed by a professional technician).



OPERATION

WARNING: DO NOT ATTEMPT TO OPERATE HEATER UNTIL YOU HAVE READ AND UNDERSTAND ALL PRECAUTIONS. FAILURE TO DO SO CAN RESULT IN SERIOUS PERSONAL INJURY, DEATH, OR PROPERTY DAMAGE.

Before turning gas supply ON

Your heater was designed and approved for **OUTDOOR USE ONLY**. DO NOT use it inside a building or any other enclosed area.

Make sure surrounding areas are free of combustible materials, gasoline, and other flammable vapors or liquids.

Ensure that there is no obstruction to air ventilation.

Be sure all gas connections are tight and there are no leaks.

Be sure the access panel is clear of debris.

Be sure any component removed during assembly or servicing is replaced and fastened prior to starting.

Before Lighting

Heater should be thoroughly inspected before each use, and by a qualified service person at least annually.

If relighting a hot heater, always wait at least 5 minutes.

Lighting instructions

- 1) Turn the control knob to "OFF" position.
- 2) Turn LP cylinder gas valve to fully open position.
- 3) Turn knob counter-clockwise to "IGNITE". Hold knob down to activate "IGNITE" until lit. (It is also possible to ignite the appliance using a long match, by approaching the burner through the ignition hole provided.) If pilot does not light, turn knob clockwise to "OFF". Wait 5 minutes and repeat the procedure.

WARNING

FOR YOUR SAFETY:

If at any time you are unable to light burner and smell gas, wait 5 minutes to allow gas to dissipate before attempting to light heater. If after 1 minute, you are unable to light burner, wait 5 minutes and allow flammable vapors to dissipate before attempting to light heater.

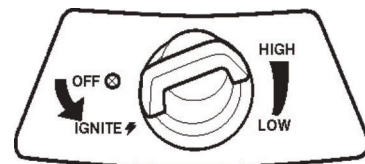
WARNING

FOR YOUR SAFETY:

DO NOT touch or move heater for at least 45 minutes after use. Allow emitter and heat reflector to cool before touching.

WARNING

Lighting operations should comply with Lighting Instruction section. Improper lighting operations will cause serious injury and explosion.



OPERATION

- 4) When the pilot is lit keep knob pressed for up to 20 seconds to heat the thermocouple flame sensor, then release it (first ignition generally takes more time, because the gas circuit is full of air).
- 5) If the pilot does not stay lit, repeat steps 3 and 4.
- 6) Turn knob to “LOW “ position.
- 7) Adjust the heat input by turning the knob from the “LOW“ position, to the “HIGH” position, as required.
- 8) After lighting, turn knob from “LOW “ to “HIGH”, position and back, to check flame stability.
- 9) In case of accidental break down of the flame (due to wind or other reasons), a Flame Safety Device (FSD) will automatically shut-off gas supply within 90 seconds.

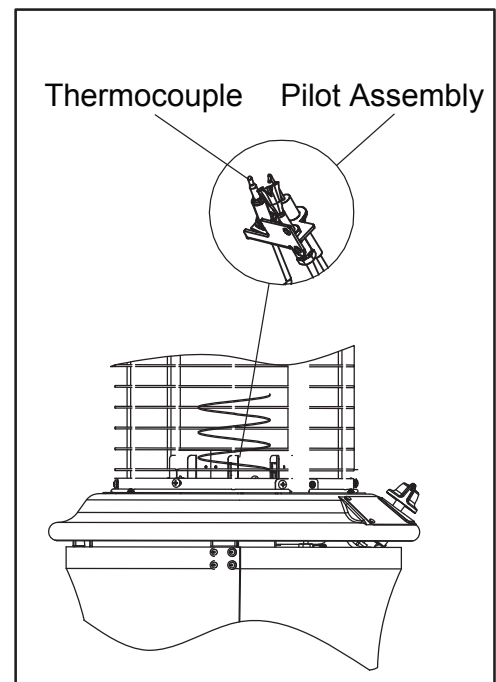
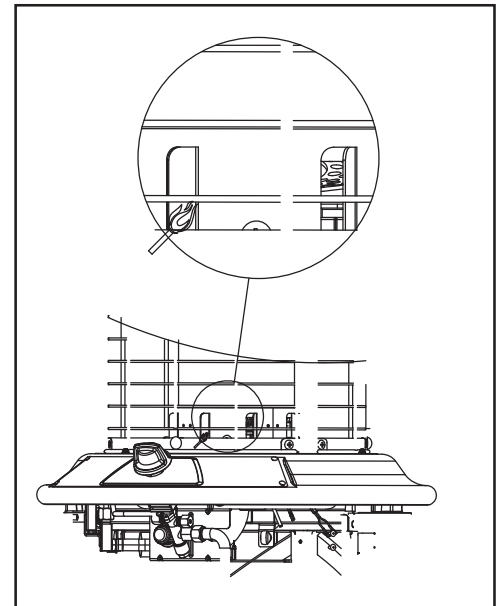
If you experience any ignition problem consult the following “Troubleshooting”.

These lighting instructions must be followed. An unsafe condition can occur if they are not followed correctly.

Flame Characteristic

The flame pattern at the emitter screen should be visually checked whenever heater is operated.

If black spot is accumulating on the emitter grid or reflector, the heater should be **turned off** immediately. The heater should not be operated again until the unit is serviced and or repaired.



OPERATION

CAUTION : AVOID INHALING FUMES EMITTED FROM THE HEATER'S FIRST USE. SMOKE AND ODOR FROM THE BURNING OF OILS USED IN MANUFACTURING WILL APPEAR. BOTH SMOKE AND ODOR WILL DISSIPATE AFTER APPROXIMATELY 30 MINUTES. THE HEATER SHOULD NOT PRODUCE THICK BLACK SMOKE.

NOTE:

The burner may be noisy when initially turned on. To eliminate excessive noise from the burner, turn the Control Knob to the "LOW" position. Then, turn the knob to the level of heater desired.

When heater is ON:

Emitter grid will become bright red due to intense heat. The color is more visible at night.

These flames should not or produce thick black smoke, indicating an obstruction of airflow through the burners.

Operation pressure checked:

If the flame is very small, this is because the supply pressure is not enough. Please refill gas cylinder.

Re-light:

- 1) Turn the control knob to "OFF" position.
- 2) Wait five (5) minutes before attempting to relight pilot.
- 3) Repeat steps beginning with step 2 of the lighting instruction above.

Shut down instructions:

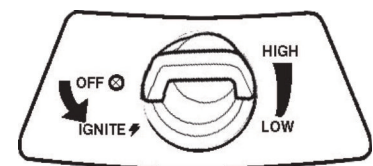
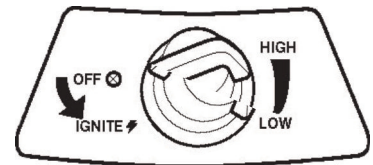
- 1) Push in and turn control knob clockwise to "OFF" position.
- 2) Turn LP cylinder gas valve clockwise to "OFF" position when heater is not in use.

Note: After use, some discoloration of the emitter screen is normal.

The Event of Gas Leakage:

- 1) Turn the control knob to "OFF" position.
- 2) Turn LP cylinder valve to "OFF" position.
- 3) Wait 5 minutes to allow gas to dissipate.
- 4) If odor continues, immediately call gas supplier.

WARNING : Heater will be hot after use.
Handle with extreme care.



LOCATING HEATER FOR USE

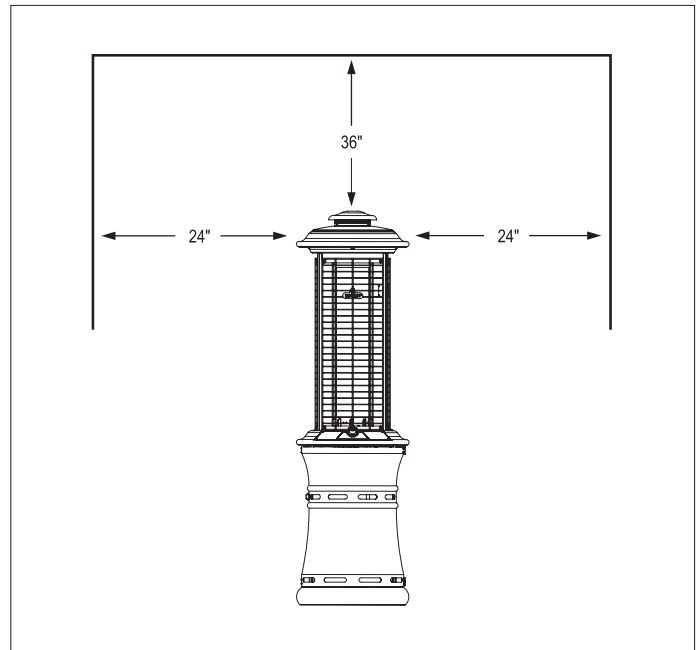
CAUTION: WHEN CERTAIN MATERIALS OR ITEMS ARE LEFT, ABOVE, BESIDE OR UNDER THIS HEATER WHILE IN USE, THEY WILL BE SUBJECT TO RADIANT HEAT AND COULD BE SERIOUSLY DAMAGED.

This heater is primarily used for the heating of outdoor patios, decks, spas, pools and open working areas.

Always make sure that adequate fresh air ventilation is provided. Follow the spacing tolerances shown in the following figure right at all times.

This heater must be placed on level, firm ground.

Never operate in an explosive atmosphere. Keep away from areas where gasoline or other flammable liquids or vapors are stored or used.



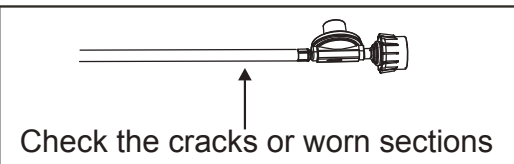
MAINTENANCE/STORAGE

CLEANING AND MAINTENANCE :

To enjoy years of outstanding performance from your heater make sure you perform the following maintenance activities on a regular basis:

- Keep exterior surfaces clean.
- Use warm soapy water for cleaning. Never use flammable or corrosive cleaning agents.
- While washing your unit, be sure to keep the area around the burner and pilot assembly dry at all times. If the gas control is exposed to water in any way, do NOT try to use it. It must be replaced.
- Keep the appliance area free and clean from combustible materials, gasoline and other flammable vapors and liquids; not obstructing the flow of combustion and ventilation air; keeping the ventilation opening(s) of the cylinder enclosure free and clear from debris.
- Visually check burner flames.
- Check if there are cracks or worn sections on hose. If yes, please call our customer service to replace hose.
- **At least once a year, the unit should be inspected** for the presence of spiders, spider webs or other insects.
- Air flow must be unobstructed. Keep controls, burner, and circulating air passageways clean. Signs of possible blockage include:
 - Gas odor with extreme yellow tipping of flame.
 - Heater does NOT reach the desired temperature.
 - Heater glow is excessively uneven.
 - Heater makes popping noises.

WARNING:
FOR YOUR SAFETY ;
DO NOT touch or move heater for at least 45 minutes after use. Allow all burner elements to cool before touching.



NOTE:
In a salt-air environment (such as near an ocean) corrosion occurs more quickly than normal. Frequently check for corroded areas and repair them promptly.

NOTE:
Wait until heater is cool before covering.

MAINTENANCE/STORAGE

- Spiders and insects can nest in burner or orifices. This dangerous condition can damage heater and render it unsafe for use. Clean burner holes by using a heavy-duty pipe cleaner. Compressed air may help clear away smaller particles.
- Carbon deposits may create a fire hazard. Clean heat reflector and heat exchange tube with warm soapy water if any carbon deposits develop.

STORAGE:

Between uses:

- Turn the control knob to "OFF" position.
- Turn LP cylinder to "OFF" position.
- Store heater upright in an area sheltered from direct contact with inclement weather (such as rain, sleet, hail, snow, dust and debris).
- If desired, cover heater to protect exterior surfaces and to help prevent build up in air passages.

During periods of extended inactivity or when transporting;

- Turn LP cylinder to "OFF" position
- Unhook fixing chain.
- Disconnect the regulator from the LP Cylinder by turning counter-clockwise and move LP cylinder to a secure, well-ventilated location outdoors. DO NOT store in a location that will exceed 125 degrees F.
- Remove 2pcs thumb screws. Remove knob from control panel and store in door. Keep gas chamber door partially open. Turn heat exchange tube clockwise. Slowly descend heat exchange tube.
- Store heater upright in an area sheltered from direct contact with inclement weather (such as rain, sleet, hail, snow, dust and debris).
- Always remove the battery from the patio heater if not being used for long periods of time as battery leakage can cause corrosion in the battery ignition housing.
- If desired, cover heater to protect exterior surfaces and to help prevent build up in air passages.

NOTE:

Wait until heater is cool before covering.

WARNING:

Do NOT keep the heater fully extended and the heat exchange tube must be lowered down to position during transportation!

TROUBLESHOOTING

PROBLEM	PROBABLE CAUSE	SOLUTION
Pilot will not light	Gas valve may be OFF	Turn the gas valve ON
	Fuel tank empty	Refill LP gas tank
	Air in supply system	Purge air from lines
	Loose connection	Check all fittings
Pilot will not stay on	Debris around pilot	Clean dirty area
	Loose connection	Tighten connection
	Defective thermocouple	Contact customer service
	Gas leak in line	Check connections
	Lack of fuel pressure	Fuel tank is near empty
Burner will not light	Pressure is low	Fuel tank is near empty
	Control valve not ON	Turn valve to ON
	Thermocouple broken	Contact customer service
	Pilot light assembly bent or not in correct location	Contact customer service

ONE YEAR LIMITED WARRANTY

Outdoor Order™ LLC warrants to the original retail purchaser of this heater. that if assembled and operated in accordance with the printed instructions accompanying it, the mechanical operation of the heater for a period of one year.

Outdoor Order™ LLC warrants that powder coat finishes will be free from corrosion for a period of two years, and metallic finishes for a period of one year. Small cosmetic blemishes inherent to the casting process and which do not affect the performance of the heater are not covered. Outdoor Order™ LLC warrants the glass tube heating element in our PrismQuad™ and Axis™ for a period of 90 days from the date of purchase.

The warranty does not cover any failures or operating difficulties due to accident, abuse, misuse, alteration, misapplication, neglect, improper installation, improper maintenance or service by you or a third party. Please see our Owner's Manual for care and maintenance instructions.

This warranty does not cover corrosion due to extreme environments. The warranty does cover rusting through of parts necessary for the operation of the heater. Occasional rusting or staining due to environmental conditions or neglect are not covered.

This warranty shall be limited to the repair or replacement of parts only, which prove defective under normal use and service. Before returning any parts, Customer should contact the Outdoor Order™ LLC customer service department using the contact information listed below. If Outdoor Order™ LLC confirms, after examination a defect covered by this limited warranty in any returned part, and if Outdoor Order™ LLC approved the claim, Outdoor Order™ LLC will replace such defective part without charge. If returned products are found ineligible for warranty coverage, the product will be returned to the sender without repair or replacement, at the sender's expense.

This warranty expires upon transfer of title of any products by the original retail purchaser.

Outdoor Order™ LLC does not authorize any person or company to assume for it any other obligation or liability in connection with the sale, installation, use, removal, return, or replacement of its equipment, and no such representations are binding on Outdoor Order™ LLC.

Outdoor Order™ reserves the right to change this warranty at any time. For our most current warranty, please visit our website at www.outdoororder.com.

OUTDOOR ORDER LLC™

1-888-806-8836
cs@outdoororder.com

Dear Valued Customer,

Thank you for your recent purchase from Outdoor Order LLC™. We pride ourselves on providing innovative, reliable and stylish outdoor comfort products. Our mission is simple, “bring order to the outdoors”.

Our collection meets rigorous manufacturing standards and is backed by a comprehensive warranty. Tough enough for demanding commercial environments and yet accessible to the discriminating consumer, Outdoor Order products stand apart in an industry we are proud to be a part of it.

We pride ourselves on our service commitment. No problem is too small and no order too big, that’s our mantra. Our customer service department is here to help you with any problem, and our logistics and support team can deliver in a pinch. We never forget that you come first, and always will.

Outdoor Order
“BRINGING ORDER TO THE OUTDOORS”



MANUFACTURED BY:
OUTDOOR ORDER LLC™



“bringing order to the outdoors”

WWW.OUTDOORORDER.COM