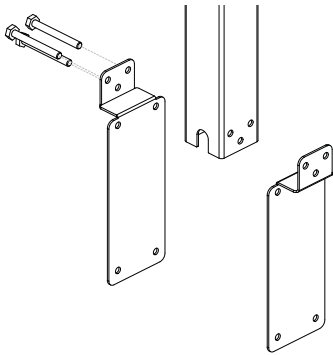


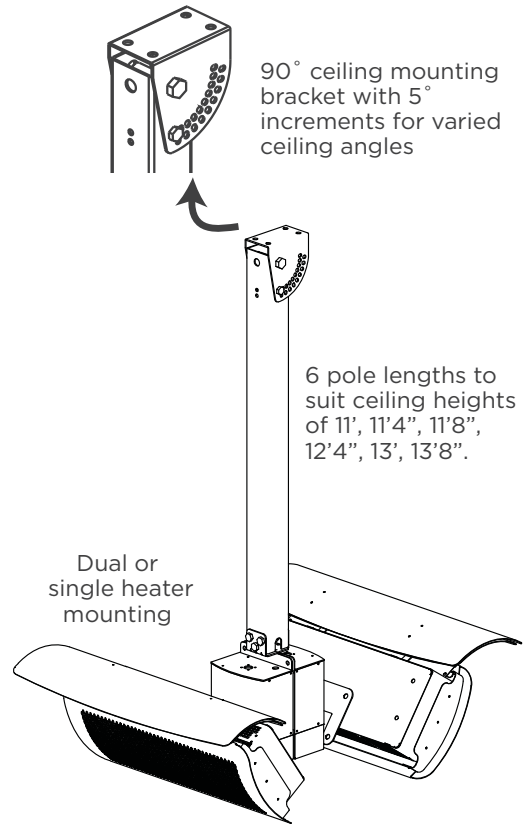
# Accessories for Smart-Heat Gas Heaters\*

## Ceiling Pole

- The dual directional ceiling mount pole offers greater positioning versatility. They offer;
  - Dual or single heater mounting
  - 6 lengths to suit ceiling heights of 11', 11'4", 11'8", 12'4", 13', 13'8"
  - Adjustable mounting bracket to suit most installations

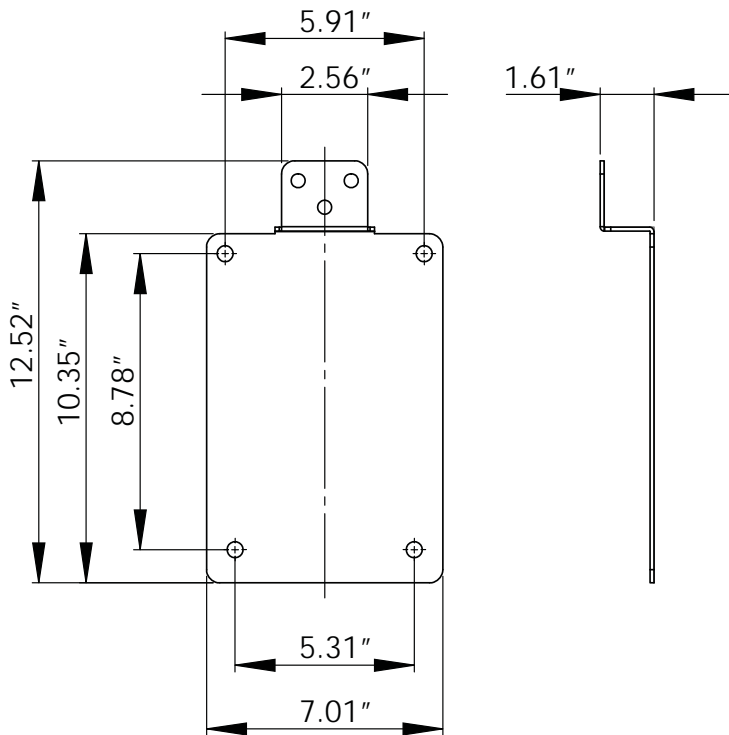


**Ceiling Pole Paddles:** Ceiling Pole Paddles must be placed with flat fascia facing each other as per diagram.

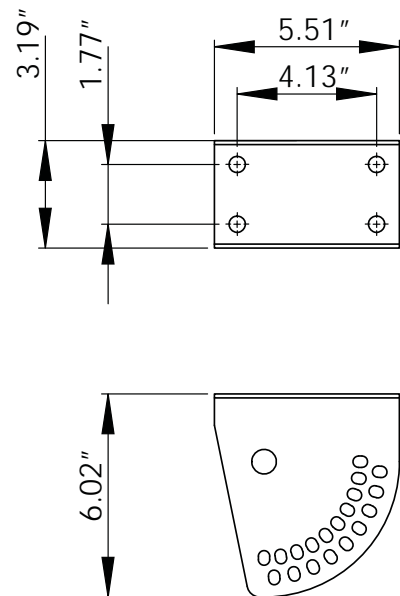


## Dimensions

CEILING POLE PADDLES



CEILING POLE MOUNTING BRACKET

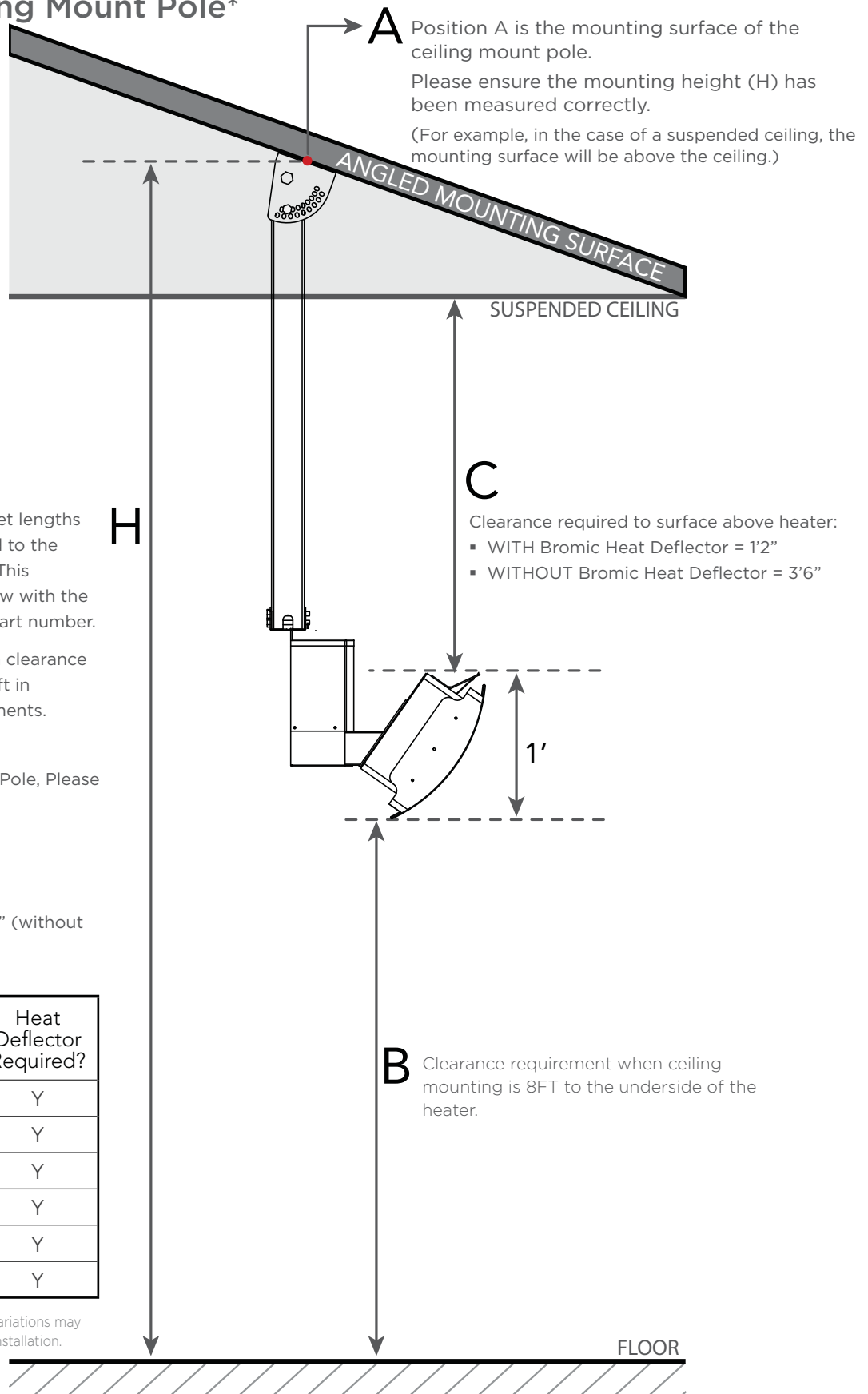


## Installation of Ceiling Mount Pole\*

Our ceiling poles cater for varying ceiling heights and angles.

This diagram illustrates one possible scenario where the mounting surface is angled, and a suspended ceiling is present.

If you have any questions please contact us on +61 2 9748 3900 or [info@bromicheating.com](mailto:info@bromicheating.com)



Bromic Ceiling Poles are made in 5 set lengths based on the height from the ground to the pole mounting surface (Position A). This distance (dimension H) is noted below with the corresponding Bromic Ceiling Pole part number.

Each Pole is manufactured to allow a clearance below the heater (Dimension B) of 8ft in accordance with installation requirements.

### IMPORTANT:

When Selecting your Bromic Ceiling Pole, Please ensure that:

- Dimension B is no smaller than 8ft
- Dimension C is no smaller than 1'2" (with heat deflector)
- Dimension C is no smaller than 3'6" (without heat deflector)

Dimension H* (mm)	Bromic Part No.	Heat Deflector Required?
11'	BH3030003	Y
11'4"	BH3030004	Y
11'8"	BH3030005	Y
12'4"	BH3030006	Y
13'	BH3030007	Y
13'8"	BH3030008	Y

\*Dimensions provided are nominal only. Slight variations may occur. All dimensions must be checked during installation.