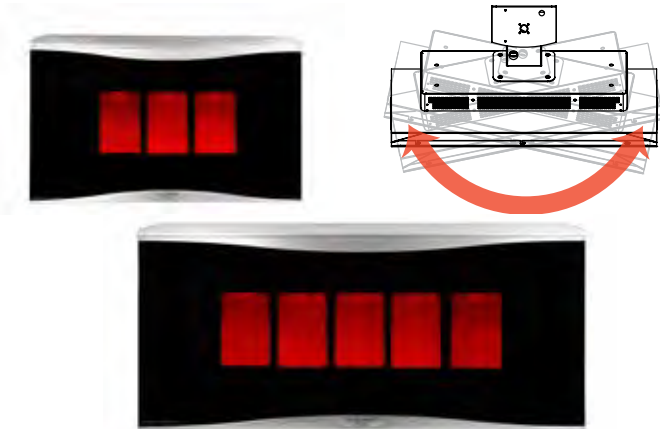


---

# PLATINUM SMART-HEAT™ GAS

---

Top quality performance and the looks to match



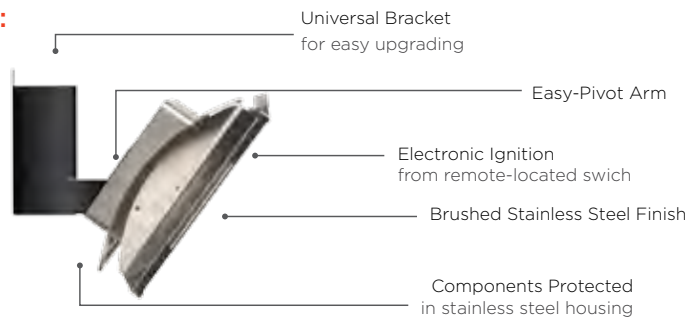
Brushed stainless steel and a ceramic medium makes Platinum Smart-Heat™ Gas suitable for the most exclusive outdoor environments.

Tinted ceramic transforms an otherwise obtrusive red glare emitted by traditional tiles into a soft glow, enhancing the overall experience and ensuring even heat distribution.

Directional ceiling or wall mounts provides greater positioning versatility and heat coverage.

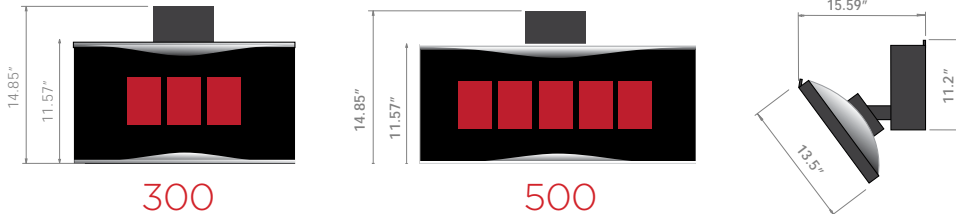
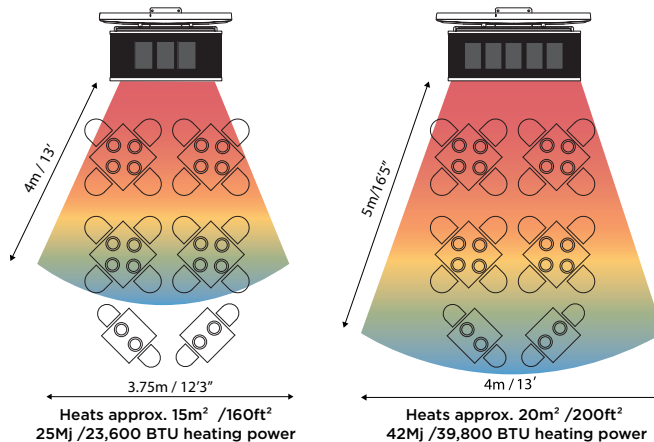


## FEATURES:



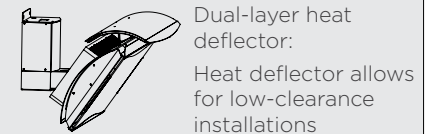
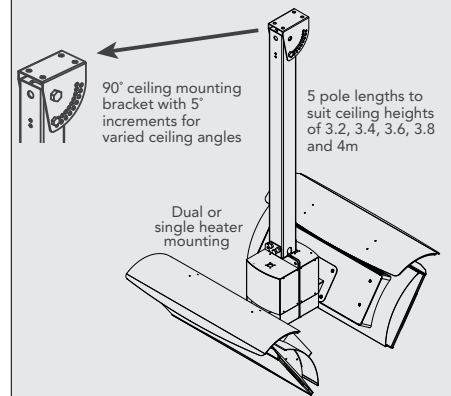
## HEAT DISTRIBUTION

\*Heat area dependent on ambient temperature and wind. Optimum conditions experienced at approx 15.5°C/ 60°F & in a low wind covered environment. Table layout indicative only.



## ACCESSORIES\*

- Ceiling poles (black electro plated):
  - \*The dual-directional ceiling mount pole offers greater positioning versatility in larger open areas.
  - › Dual or single heater mounting
  - › 5 lengths to suit ceiling heights of 10.5', 11.2', 11.8', 12.5' and 13'
  - › Adjustable mounting bracket to suit most installations



\*All accessories sold separately

## SPECIFICATIONS

Model		300	500
Part no.	LPG <sup>1</sup>	BH0110002	BH0110004
	Natural Gas <sup>1</sup>	BH0110001	BH0110003
Heat Deflector part no.		BH3030001	BH3030002
Ceiling Poles		5 pole lengths to suit ceiling heights of 10.5', 11.2', 11.8', 12.5' and 13' (contact Bromic Heating for more information)	
Heat Output (on LPG and NG)		23,600BTU	39,800BTU
Approximate area heated (feet <sup>2</sup> )		120ft <sup>2</sup>	200ft <sup>2</sup>
Gas connection		1/2" NPT Female	1/2" NPT Female
Electrical connection		110 Volt, 3-pin insulated plug	110 Volt, 3-pin insulated plug
Dimension (WxDxH)		22.05" x 15.59" x 14.85"	29.76" x 15.59" x 14.85"
Min. distance to combustible materials (without heat deflector) <sup>2</sup>		Sides: 36" / 1100mm	
		Above (to ceiling): 36" / 1100mm	
	(with heat deflector) <sup>2</sup>	Above (to ceiling): 14" / 350mm	
Mounting height requirement to ground <sup>3</sup>		8' / 2438mm	
Weight (lb)		33lbs	40lbs

<sup>1</sup>Must only be installed by a licensed technician. Must complete "Pre-Installation Checklist" before installing  
<sup>2</sup>The temperature will not exceed 65°C/149°F above the ambient temperature at specified distance. Please consult material manufacturer for temperature ratings and suitability. Bromic Heating takes no responsibility for material compliance. <sup>3</sup>8' / 2438mm or maybe lower depending on local regulations



## MINIMUM INSTALLATION CLEARANCES

