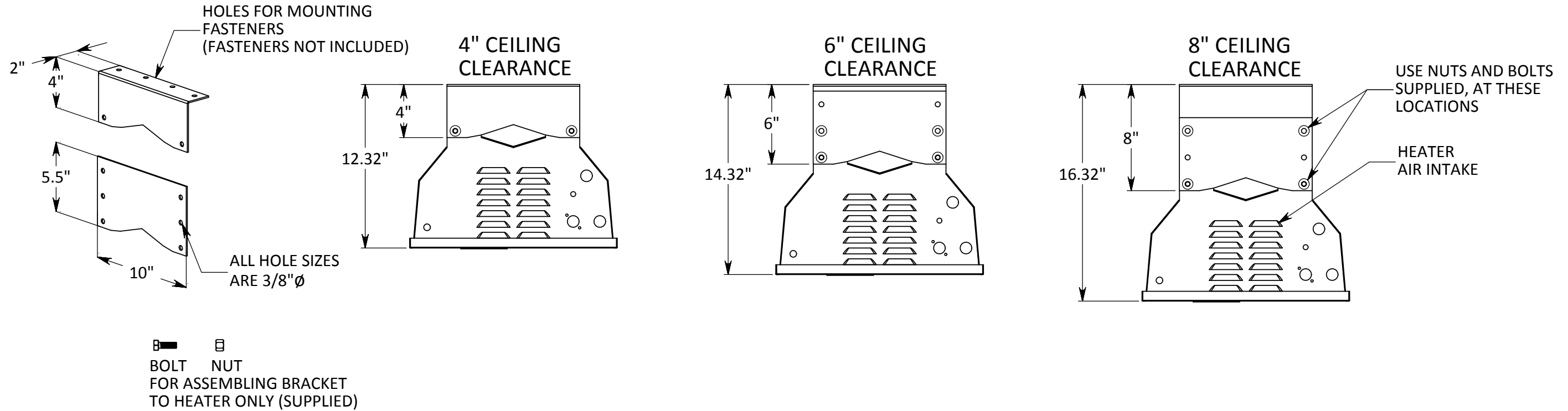
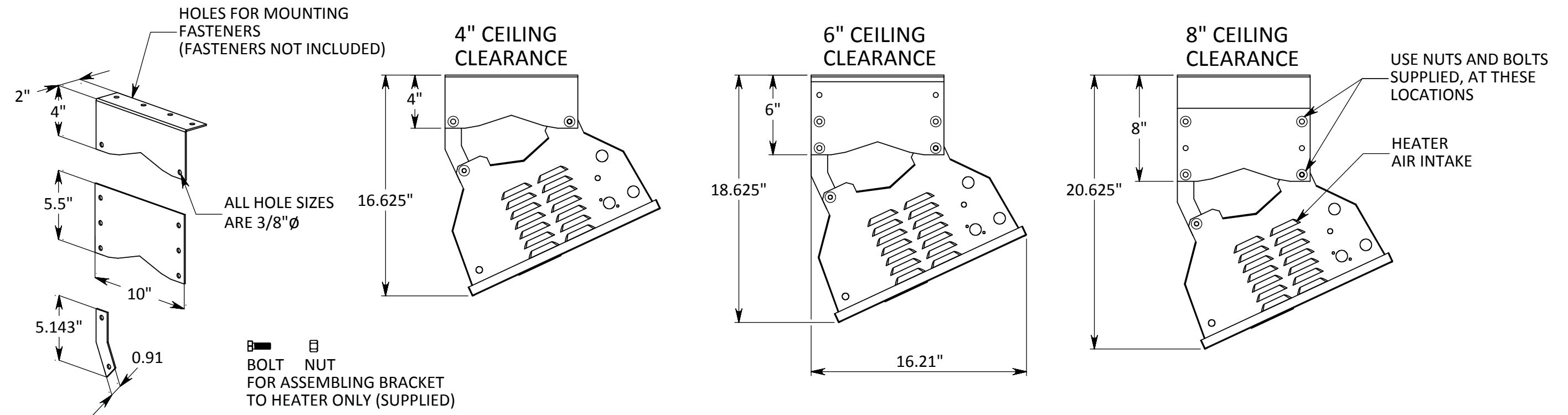


PH MOUNTING OPTIONS

1) OVERHEAD - HORIZONTAL END VIEW



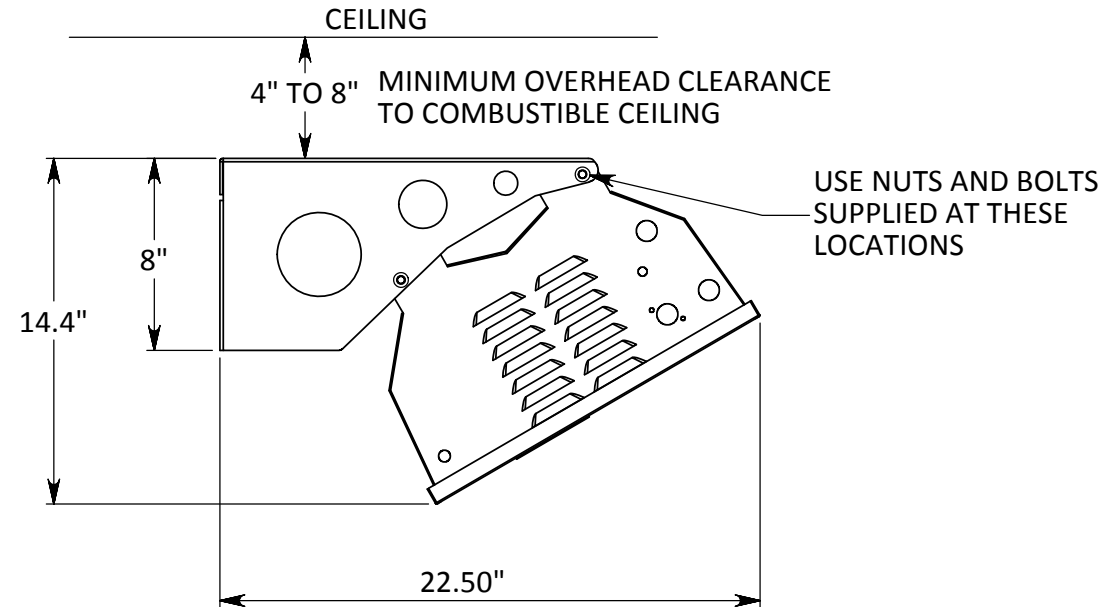
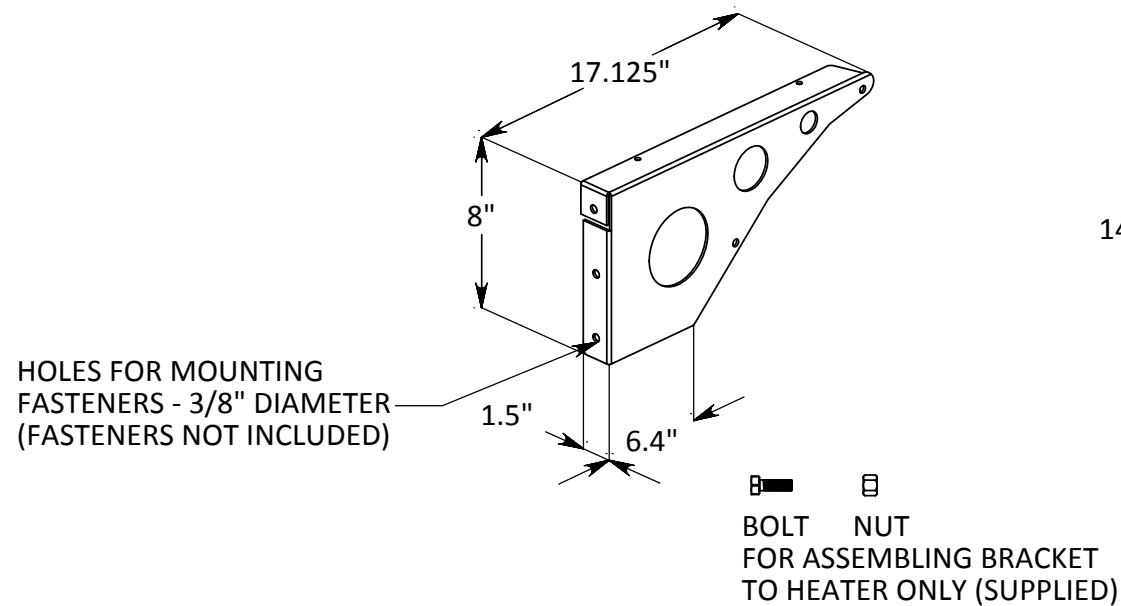
2) OVERHEAD - 25° TILT END VIEW



PH MOUNTING OPTIONS



3) WALL MOUNT - 25° TILT - END VIEW



4) WALL MOUNT - HORIZONTAL CANTILEVER - END VIEW

