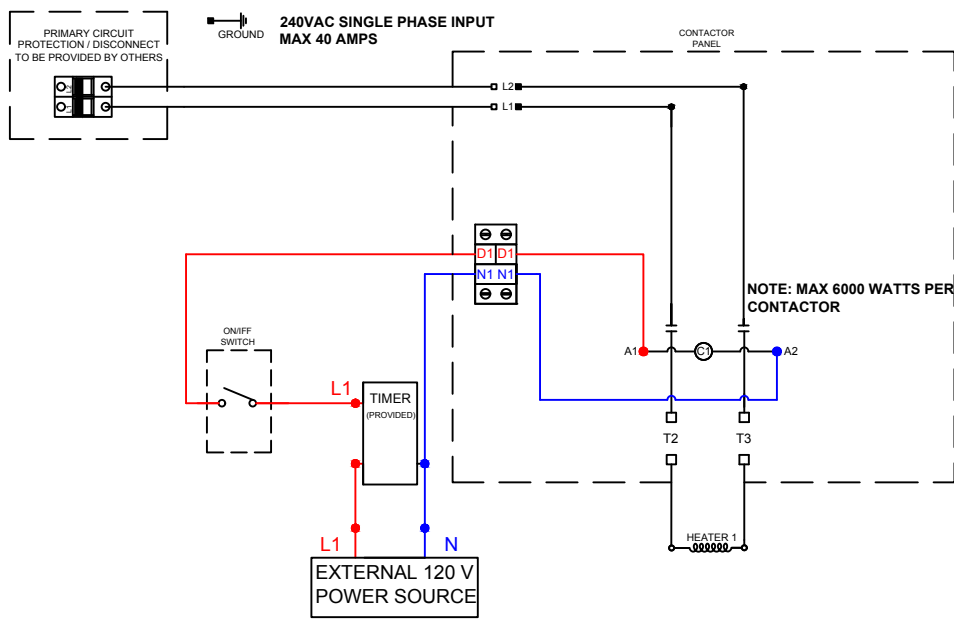


FOR USE WITH 240VAC HEATERS

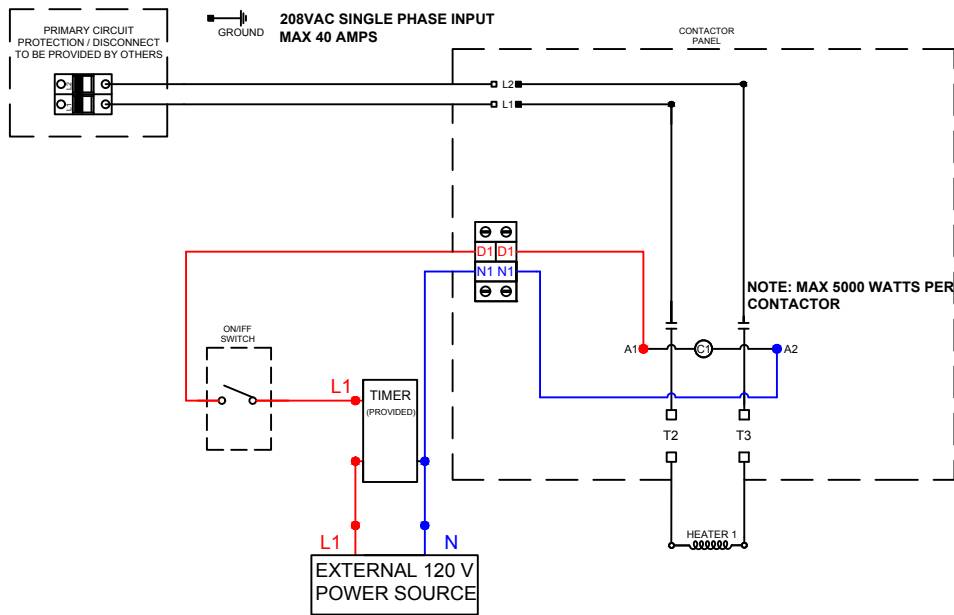


TOTAL WATTAGE OF HEATER(S)	MAIN FEED AMPERAGE
1500	8
2000	11
2500	14
3000	16
3500	19
4000	21
4500	24
5000	27
5500	29
6000	32

- NOTES:
1. ALL INFRA TECH PRODUCTS MUST BE INSTALLED BY A LICENSED ELECTRICIAN
 2. RETIGHTEN CONNECTIONS YEARLY
 3. TYPE 1 ENCLOSURE- INDOOR USE ONLY
 4. NOT COMPATIBLE WITH INF CONTROLS
 5. DESIGNED FOR USE WITH ENCLOSED 4 HOUR MAX TIMER



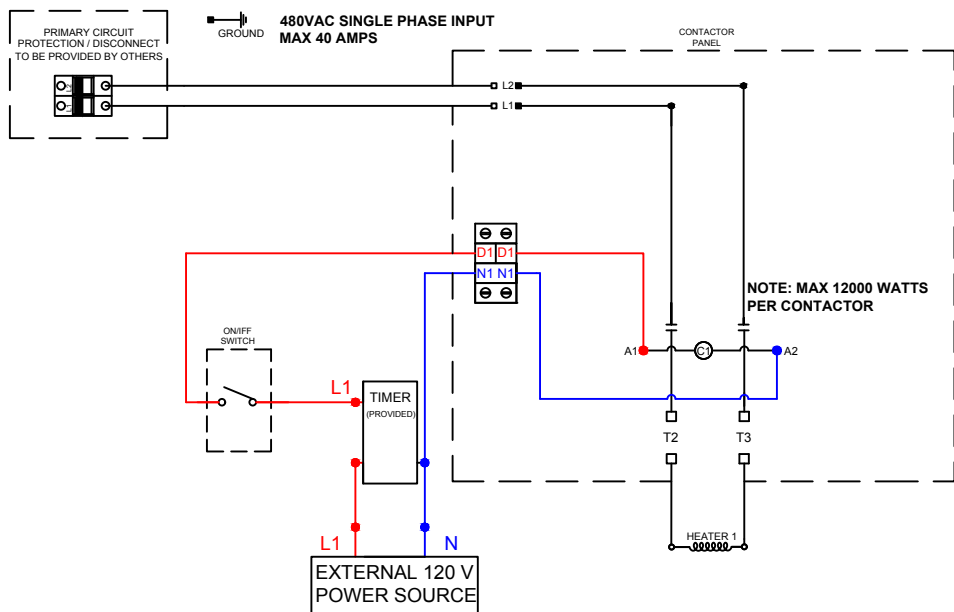
FOR USE WITH 208VAC HEATERS



TOTAL WATTAGE OF HEATER(S)	MAIN FEED AMPERAGE
1500	10
2000	13
2500	16
3000	19
3500	22
4000	25
4500	28
5000	31

- NOTES:
1. ALL INFRA TECH PRODUCTS MUST BE INSTALLED BY A LICENSED ELECTRICIAN
 2. RETIGHTEN CONNECTIONS YEARLY
 3. TYPE 1 ENCLOSURE- INDOOR USE ONLY
 4. NOT COMPATIBLE WITH INF CONTROLS
 5. DESIGNED FOR USE WITH ENCLOSED 4 HOUR MAX TIMER

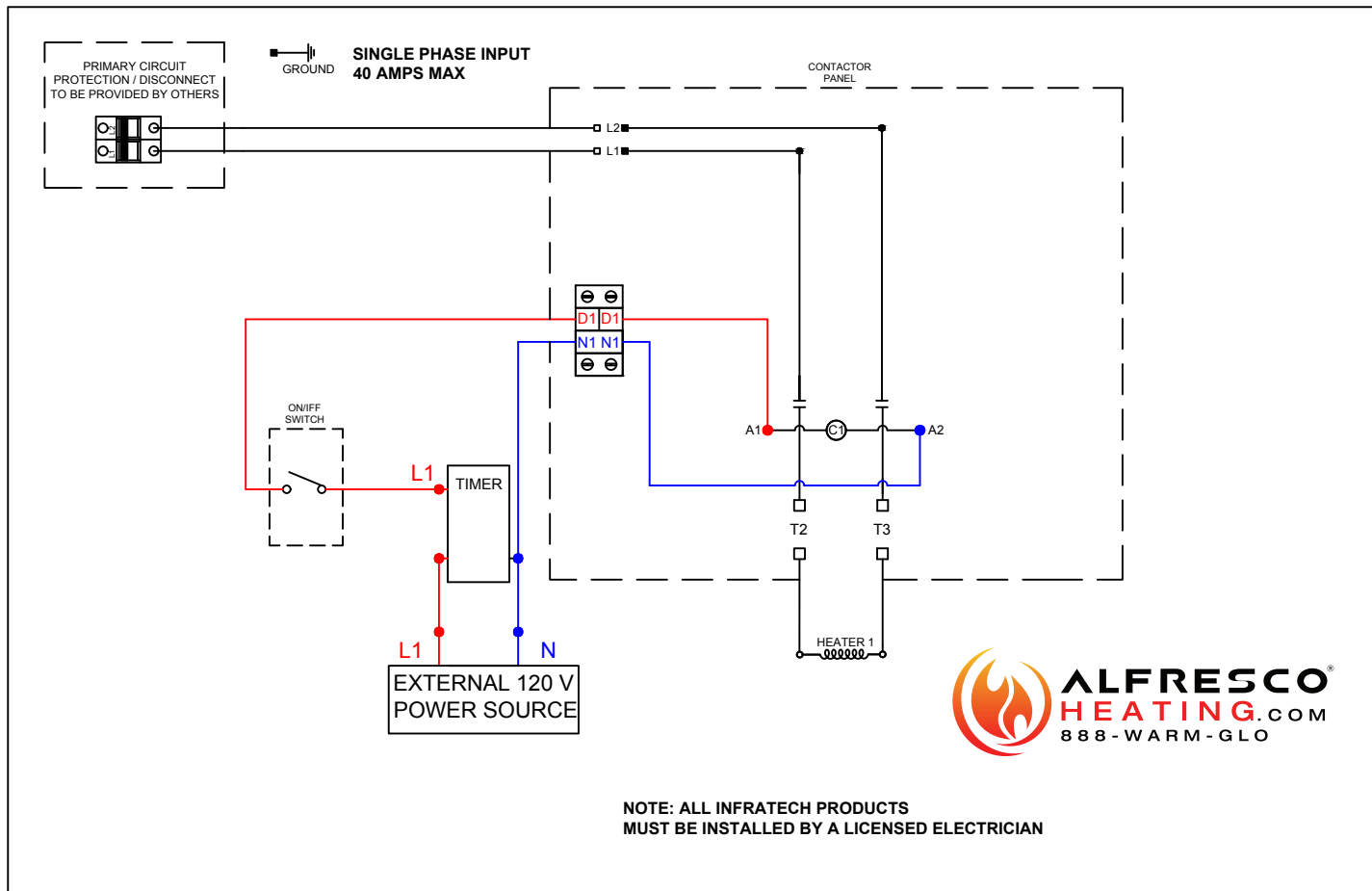
FOR USE WITH 480VAC HEATERS



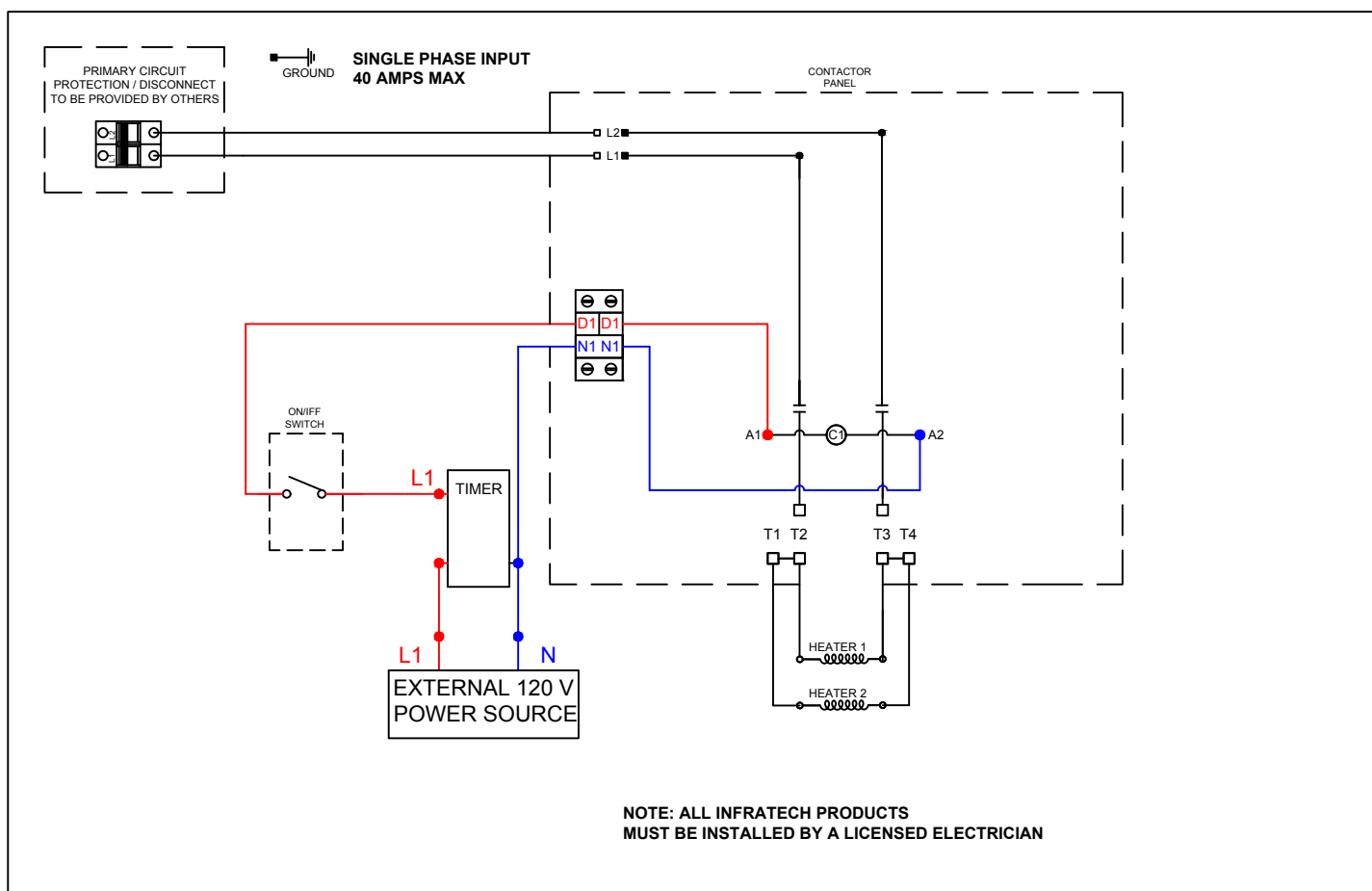
TOTAL WATTAGE OF HEATER(S)	MAIN FEED AMPERAGE
1500	4
2000	6
2500	7
3000	8
3500	10
4000	11
4500	12
5000	14
5500	15
6000	16
6500	17
7000	19
7500	20
8000	21
8500	23
9000	24
9500	25
10000	27
10500	28
11000	29
11500	30
12000	32

- NOTES:
1. ALL INFRA TECH PRODUCTS MUST BE INSTALLED BY A LICENSED ELECTRICIAN
 2. RETIGHTEN CONNECTIONS YEARLY
 3. TYPE 1 ENCLOSURE- INDOOR USE ONLY
 4. NOT COMPATIBLE WITH INF CONTROLS
 5. DESIGNED FOR USE WITH ENCLOSED 4 HOUR MAX TIMER

SINGLE CONTACTOR WITH ONE HEATER



JUMPERED CONTACTOR WITH MULTIPLE HEATERS



SINGLE CONTACTOR WITH MULTIPLE HEATERS

