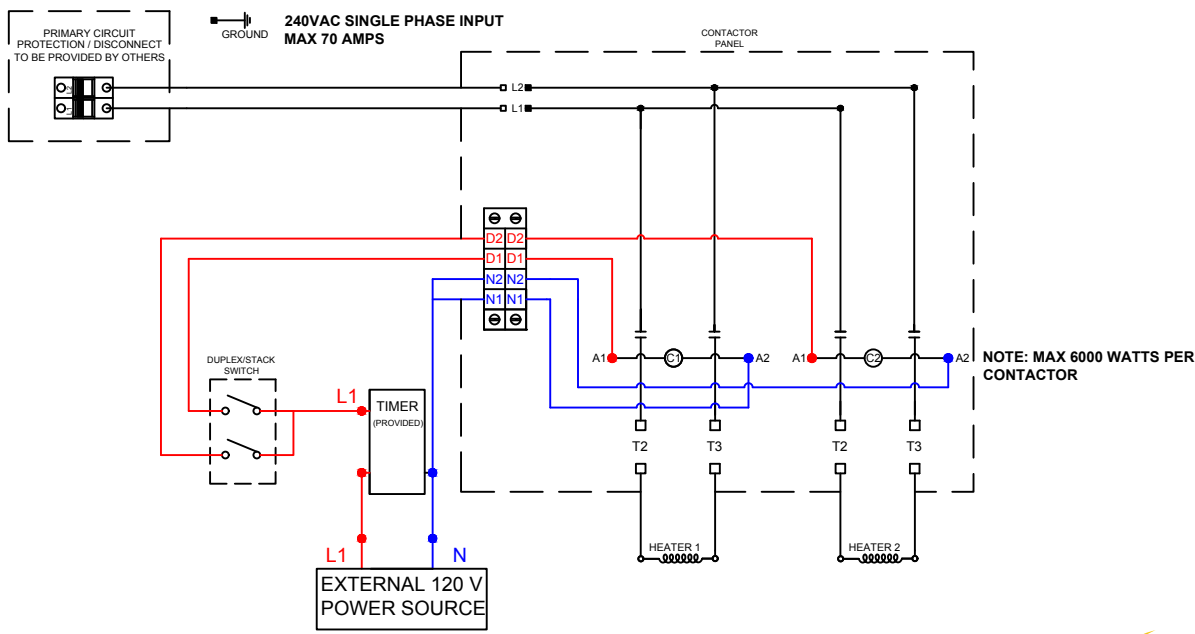


FOR USE WITH 240VAC HEATERS



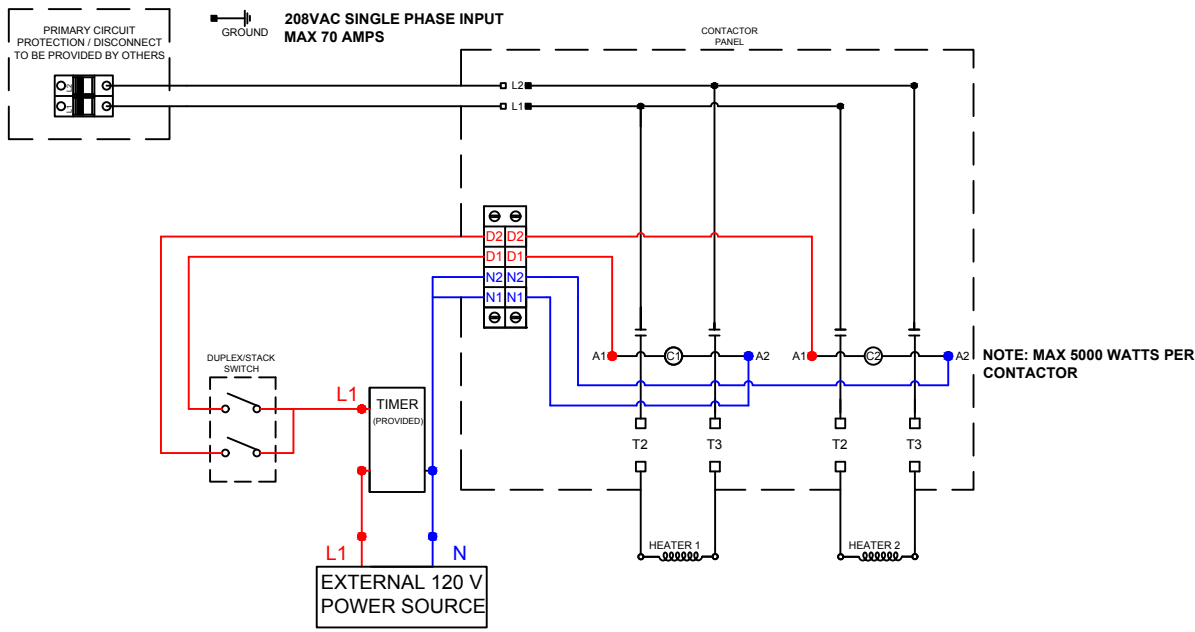
TOTAL WATTAGE OF HEATER(S)	MAIN FEED AMPERAGE
1500	8
2000	11
2500	14
3000	16
3500	19
4000	21
4500	24
5000	27
5500	29
6000	32
6500	34
7000	37
7500	40
8000	42
8500	45
9000	47
9500	50
10000	53
10500	55
11000	58
11500	60
12000	63

NOTE: MAX 6000 WATTS PER CONTACTOR

- NOTES:
1. ALL INFRATECH PRODUCTS MUST BE INSTALLED BY A LICENSED ELECTRICIAN
 2. RETIGHTEN CONNECTIONS YEARLY
 3. TYPE 1 ENCLOSURE- INDOOR USE ONLY
 4. NOT COMPATIBLE WITH INF CONTROLS
 5. DESIGNED FOR USE WITH ENCLOSED 4 HOUR MAX TIMER



FOR USE WITH 208VAC HEATERS

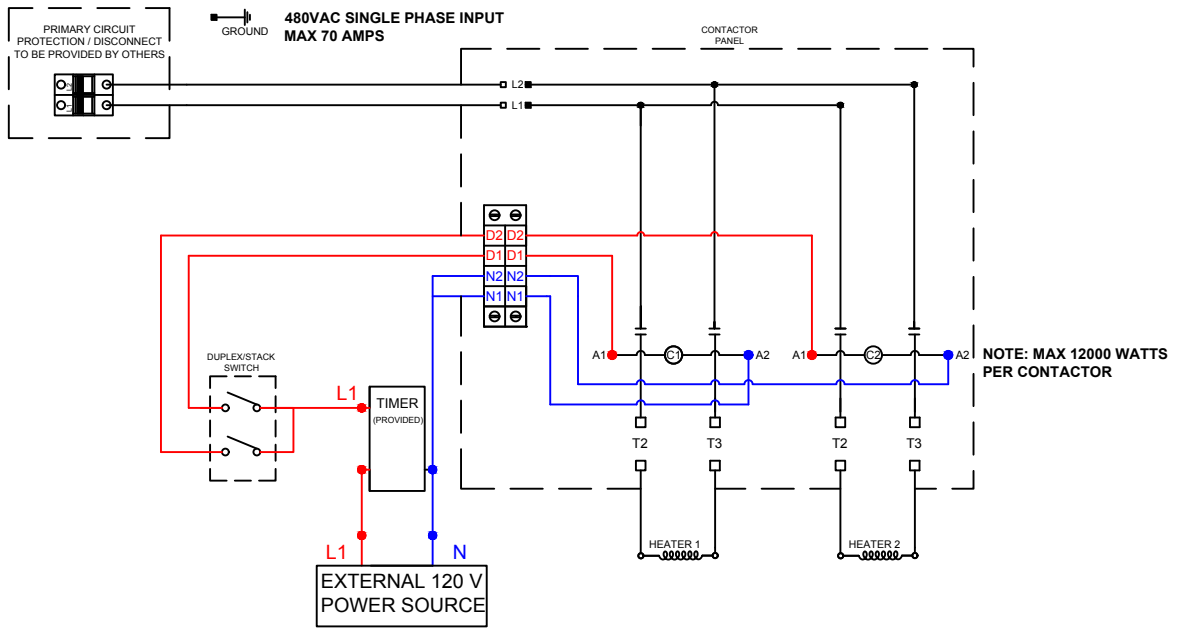


TOTAL WATTAGE OF HEATER(S)	MAIN FEED AMPERAGE
1500	10
2000	13
2500	16
3000	19
3500	22
4000	25
4500	28
5000	31
5500	34
6000	37
6500	40
7000	43
7500	46
8000	49
8500	52
9000	55
9500	58
10000	61

NOTE: MAX 5000 WATTS PER CONTACTOR

- NOTES:
1. ALL INFRATECH PRODUCTS MUST BE INSTALLED BY A LICENSED ELECTRICIAN
 2. RETIGHTEN CONNECTIONS YEARLY
 3. TYPE 1 ENCLOSURE- INDOOR USE ONLY
 4. NOT COMPATIBLE WITH INF CONTROLS
 5. DESIGNED FOR USE WITH ENCLOSED 4 HOUR MAX TIMER

FOR USE WITH 480VAC HEATERS

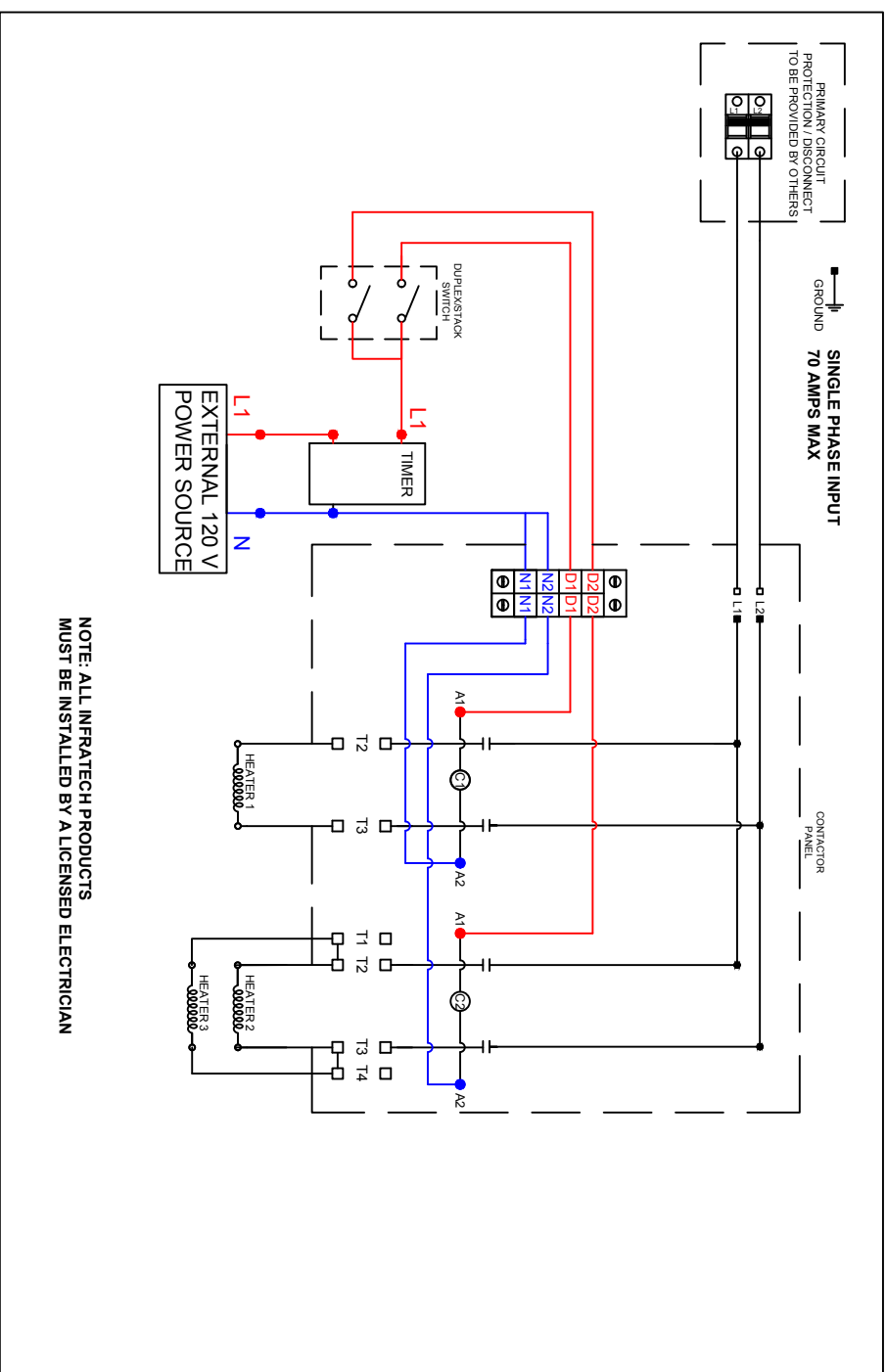


TOTAL WATTAGE OF HEATER(S)	MAIN FEED AMPERAGE
1500	4
2000	6
2500	7
3000	8
3500	10
4000	11
4500	12
5000	14
5500	15
6000	16
6500	17
7000	19
7500	20
8000	21
8500	23
9000	24
9500	25
10000	27
10500	28
11000	29
11500	30
12000	32
12500	33
13000	34
13500	36
14000	37
14500	38
15000	40
15500	41
16000	42
16500	43
17000	45
17500	46
18000	47
18500	49
19000	50
19500	51
20000	53
20500	54
21000	55
21500	56
22000	58
22500	59
23000	60
23500	62
24000	63

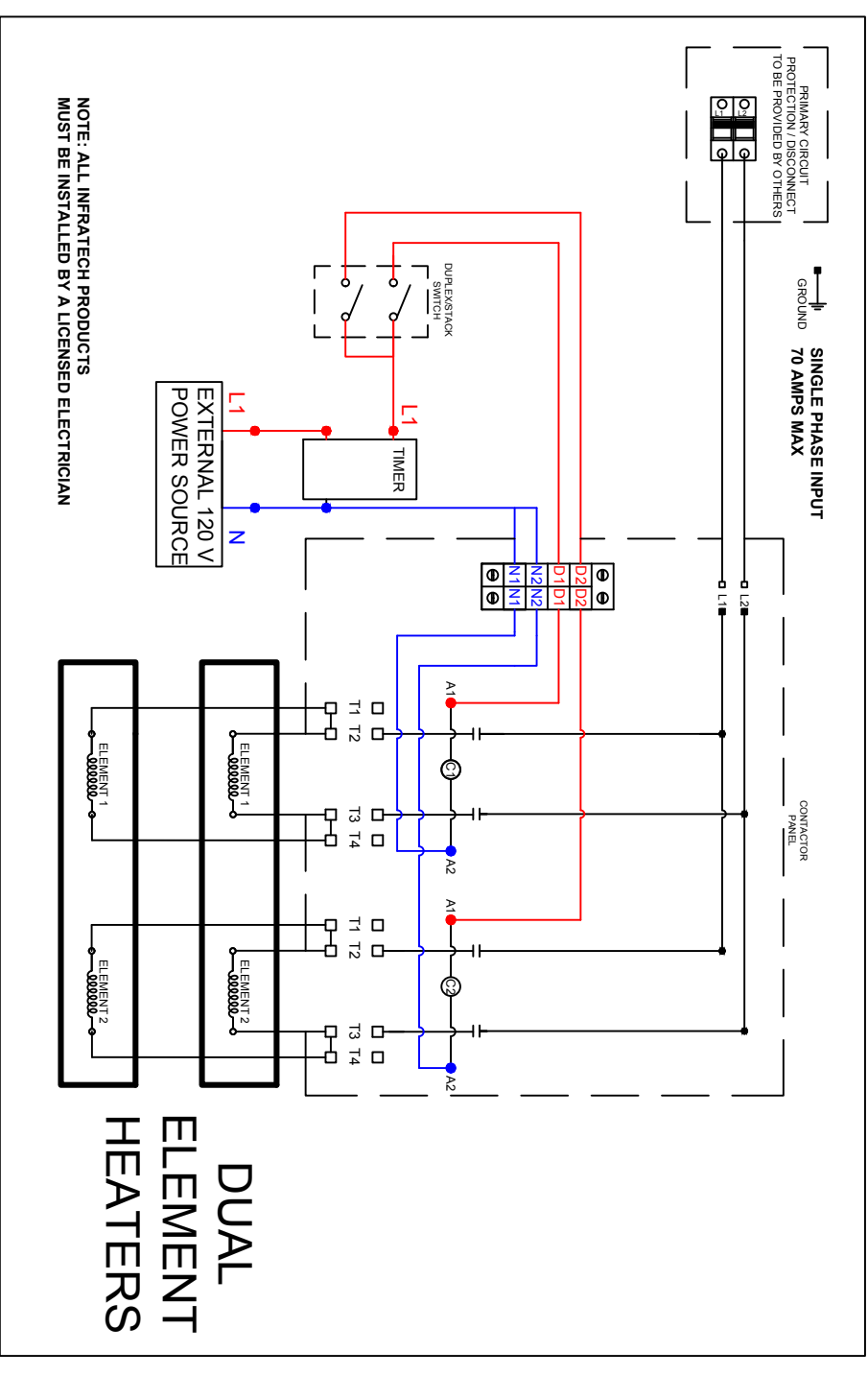
NOTE: MAX 12000 WATTS PER CONTACTOR

- NOTES:
1. ALL INFRATECH PRODUCTS MUST BE INSTALLED BY A LICENSED ELECTRICIAN
 2. RETIGHTEN CONNECTIONS YEARLY
 3. TYPE 1 ENCLOSURE- INDOOR USE ONLY
 4. NOT COMPATIBLE WITH INF CONTROLS
 5. DESIGNED FOR USE WITH ENCLOSED 4 HOUR MAX TIMER

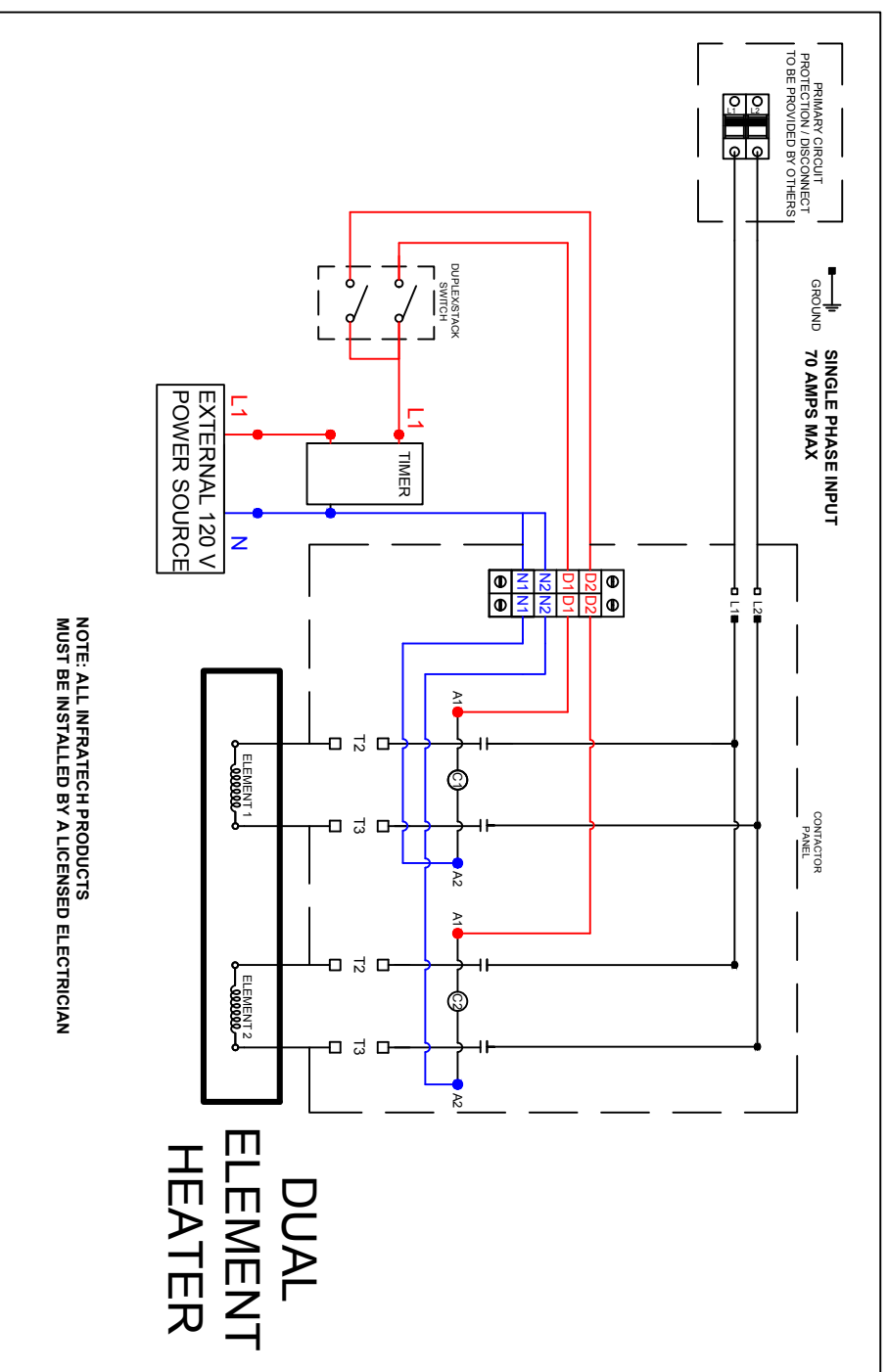
MULTIPLE HEATERS ON A CONTACTOR



HALF POWER FOR TWO HEATERS



HALF POWER FOR ONE HEATER



NOTE:
 ORANGE TERMINAL BLOCK
 JUMPER INCLUDED FOR
 TYPING D1 AND D2
 TOGETHER IF THAT IS
 DESIRED ZONING.



INFRA TECH
 www.infrotech-usa.com
 344 W 157th Street
 Gardena, California 90248
 Phone: (310) 354-1250
 Fax: (310) 523-3674

DESCRIPTION
 DUAL CONTACTOR PANEL
 SAMPLE CONFIGURATIONS

PART#	14-4710
DATE	JUL 21, 2021
ITEM#	CP-12000-2X
DWG#	CPDIAG2