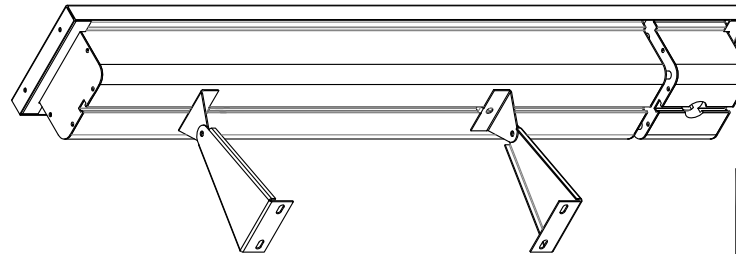
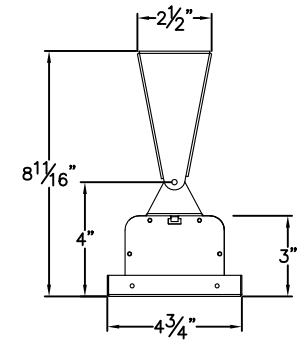
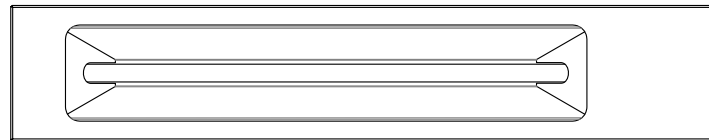
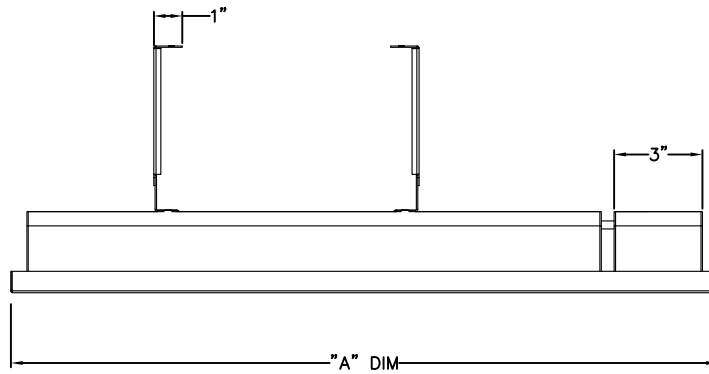
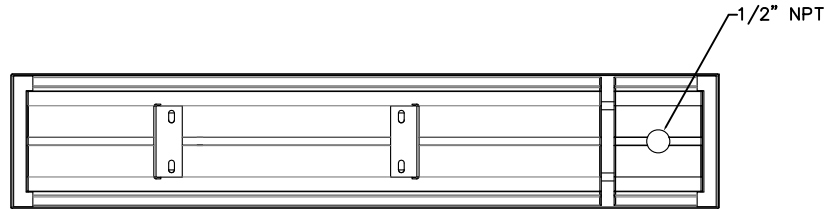
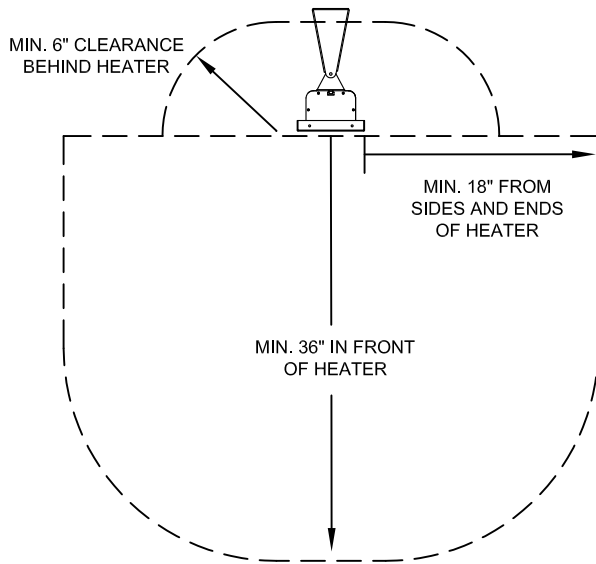


CLEARANCE FROM COMBUSTIBLES



| MODEL  | "A" DIM. | WATTS | VOLTS | AMPS | BTU's |
|--------|----------|-------|-------|------|-------|
| SL812  | 20.50"   | 800   | 120   | 6.7  | 2730  |
| SL828  | 20.50"   | 800   | 208   | 3.8  | 2730  |
| SL824  | 20.50"   | 800   | 240   | 3.3  | 2730  |
| SL1612 | 29.50"   | 1600  | 120   | 13.3 | 5460  |
| SL1628 | 29.50"   | 1600  | 208   | 7.7  | 5460  |
| SL1624 | 29.50"   | 1600  | 240   | 6.7  | 5460  |
| SL2428 | 42.50"   | 2400  | 208   | 11.5 | 8190  |
| SL2424 | 42.50"   | 2400  | 240   | 10   | 8190  |
| SL3028 | 63.50"   | 3000  | 208   | 14.4 | 10239 |
| SL3024 | 63.50"   | 3000  | 240   | 12.5 | 10239 |
| SL4028 | 63.50"   | 4000  | 208   | 19.2 | 13652 |
| SL4024 | 63.50"   | 4000  | 240   | 16.7 | 13652 |

**INFRA TECH**  
www.infratech-usa.com

344 W. 157th Street  
Gardena, California 90248  
Phone: (310) 354-1250  
Fax: (310) 523-3674

DESCRIPTION  
**SL-SERIES HEATER CAD DRAWING**

|                       |                 |               |
|-----------------------|-----------------|---------------|
| DATE<br>Nov. 29, 2010 | DRAWN BY:<br>MD | SCALE<br>NONE |
|-----------------------|-----------------|---------------|