

## Electronic Countdown Time Switch

# 42723-1



*Shown with White Overlay  
and Decorator Wallplate*

### RATINGS

INPUT: 120 VAC, 60 Hz  
200VA Fluorescent  
500W Incandescent  
1/3 Hp Motor

### ORDERING INFORMATION

Part #	Description
42723-1	White & Ivory Overlays Included

*Wall Plate Not Included*

### WARRANTY

1 Year Limited Warranty

### OVERVIEW

The MarkTime® 42723-1 Electronic countdown time switch provides quiet, convenient timed control of lighting and motor loads. Comparable to the MarkTime® 42722-1, the 42723-1 is an excellent timing solution for shorter time delay requirements.

### APPLICATIONS

The 42723-1 Electronic countdown time switch adds convenience and reduces energy costs in homes, offices, schools, hotel rooms and other light commercial applications. Featuring a perfect automatic shut-off control for ventilation in high humidity areas, the MarkTime® 42723-1 can be applied to: bath fans, whole house fans, interior and exterior lighting control.

### FEATURES & BENEFITS

- Timer settings at a glance with single button time control. Pre-set time delays of 15, 30, 60 and 120 minutes allow for quick, simple operation.
- Manual Pushbutton Override provides manual ON/OFF switching at any time for added convenience.
- LED lights indicate proper function and add to ease of operation by clearly showing your current selection.
- White & ivory overlays included so you carry 1 SKU VS. 2; saving counter space & inventory costs.
- Fits standard wall box and replaces a single-pole wall switch for fast easy installation.
- Slim design blends in with wall plate for a discreet appearance.

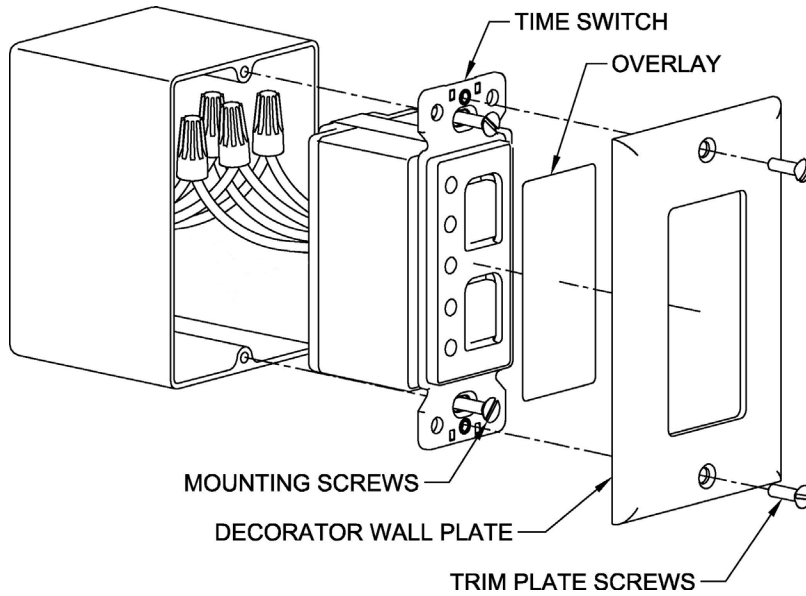


# 42723-1 Electronic Countdown Time Switch

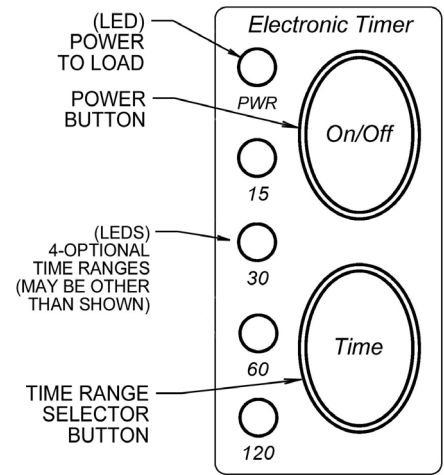
888-Warm-Glo

[www.Alfresco-Heating.com](http://www.Alfresco-Heating.com)

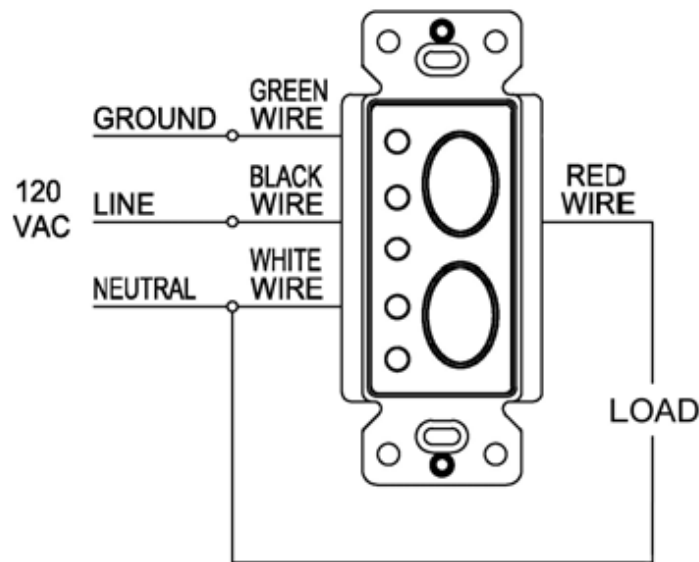
## INSTALLATION



## CONTROL PANEL



## WIRING DIAGRAM



**marktime**<sup>®</sup>