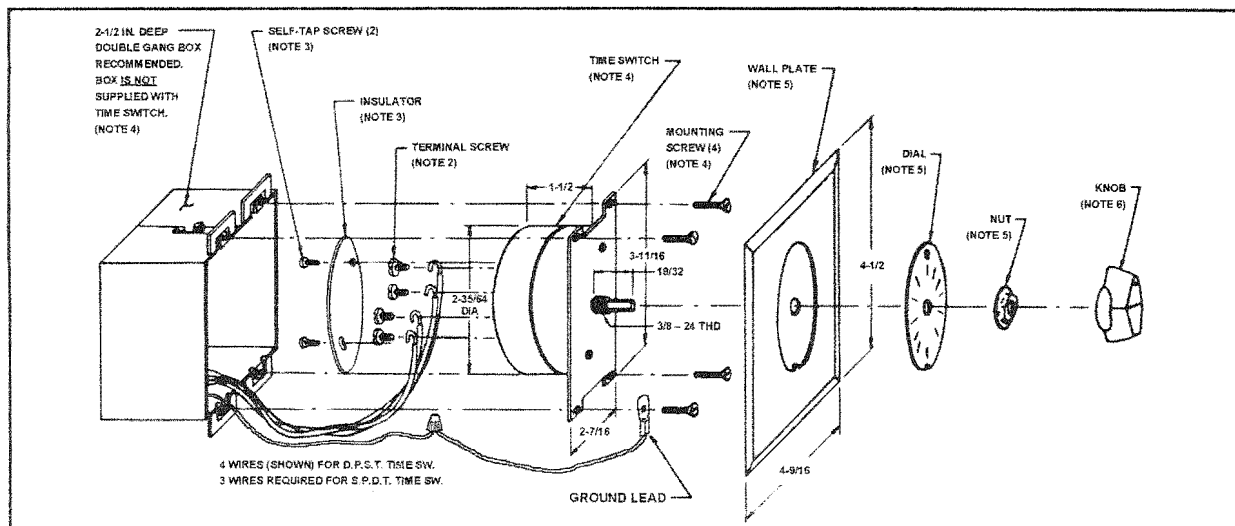


# INSTALLATION INSTRUCTIONS

**72000 AB**  
**DPST**

**74000 AB**  
**SPDT**

## INSTALLATION DIMENSIONS

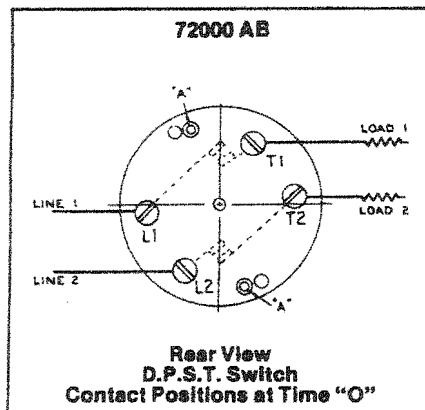


For surface mount use Wiremold's Switch and Receptacle box No. 5744-2.  
For outside installation use NEMA type 3R enclosure.

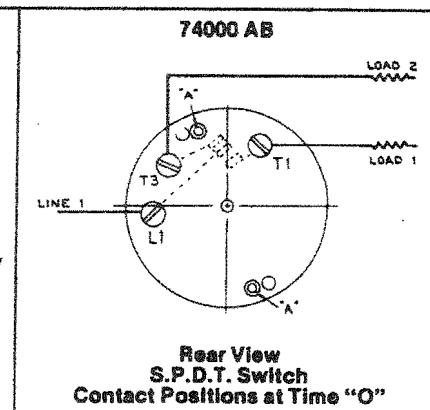
### Wiring Diagram

### Installation Instructions

### Wiring Diagram



1. Turn Power "OFF" at power panel. (FUSE OR BREAKER)
2. Attach wires to terminals with screws provided and screw down tightly. (See Rear View)
3. Cover wired terminals with insulator using self tapping screws provided. (Protection against shorts)
4. Attach provided Ground Lead to ground connection in box with wire nut.
5. Groom wires carefully for insertion of wired assembly into wall box. Fasten with four mounting screws provided. Attach the Ground Lead terminal with one of the mounting screws as shown in the diagram.
6. Place wall plate, then dial over timer shaft & threaded bushing with the "0" at the top, and fasten with nut.
7. Push on knob with pointer toward "0". Restore power to complete installation
8. Wiring should be done in accordance with local electrical code by licensed electrician.



### ONE YEAR Limited Warranty

If this Mark-Time product fails because of a manufacturing defect within one year after purchase, we will replace it at no charge. Our warranty does not cover damage caused by accident or misuse.

We assume no further liability with respect to sale or use of this product. THIS WARRANTY IS IN LIEU OF ALL OTHER WARRANTIES, EXPRESSED OR IMPLIED, INCLUDING THE WARRANTY OF MERCHANTABILITY. We make no warranty with respect to the fitness of any goods for the user's particular application.

This warranty gives you specific legal rights, and you may also have other rights which vary from state to state.



**M.H. RHODES**

Time Switch and Timer Division of Capewell

105 NUTMEG ROAD SOUTH  
SOUTH WINDSOR, CT 06074  
PHONE: (860) 291-8402



**ALFRESCO**  
**HEATING.COM**  
888-WARM-GLO