

PARAGON
OUTDOOR



SHINE

PATIO HEATER

32,000 BTU

ELECTRONIC IGNITION

ADJUSTABLE FLAME

SHATTER-PROOF GLASS

SAFETY-TILT SWITCH

18.84 SQ FT HEAT RADIUS

COOL TO TOUCH



ALFRESCO[®]

HEATING.COM

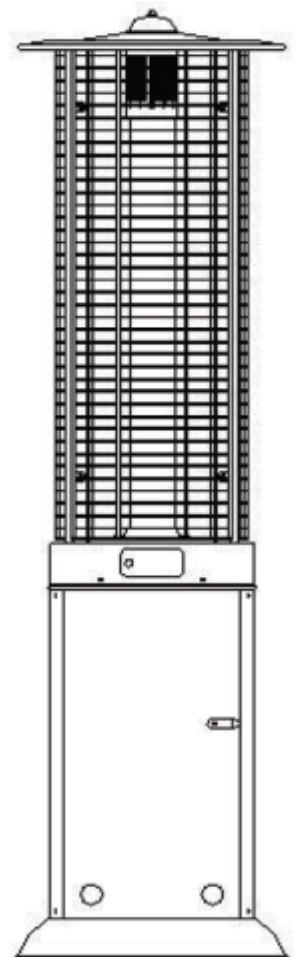
888-WARM-GLO



Intertek
5016039



Round Flame Tower Heater
OH-M744S-Stainless Steel
OH-M744B-Hammered Bronze
OH-M744BL-Hammered Black



ANSI 83.26-2014
CSA 2.37-2014

SAFETY INFORMATION

Please read and understand this entire manual before attempting to assemble, operate or install the product. This manual contains important information about the assembly, operation and maintenance of this patio heater. General safety information is presented in these first few pages and is also located throughout the manual. Keep this manual for future reference and to educate new users of this product. This manual should be read in conjunction with the labeling on the product. Safety precautions are essential when any mechanical or propane-fueled equipment is involved. These precautions are necessary when using, storing and servicing this item. Using this equipment with the respect and caution demanded will reduce the possibilities of personal injury or property damage. The following symbols shown below are used extensively throughout this manual. Always heed these precautions, as they are essential when using any mechanical or fueled equipment.

DANGER

DANGER indicates an imminently hazardous situation which, if not avoided will result in death or serious injury.

CAUTION

CAUTION indicates an imminently hazardous situation which, if not avoided, may result in minor or moderate personal injury, or property damage.

WARNING

WARNING indicates an imminently hazardous situation which, if not avoided will result in death or serious injury.

DANGER

If you smell gas:

1. Shut off gas to the appliance.
2. Extinguish any open flame.
3. If odor continues, keep away from the appliance and immediately call your gas supplier or fire department

WARNING

Do not store or use gasoline or other flammable vapors and liquids in the vicinity of this or any other appliance. An LP-cylinder not connected for use shall not be stored in the vicinity of this or any other appliance.

WARNING

Certain materials or items, when stored under the heater, will be subjected to radiant heat and could be seriously damaged.

DANGER

Failure to comply with the precautions and instructions provided with this heater can result in death, serious bodily injury and property loss or damage from hazards of fire, explosion, burn, asphyxiation and/or carbon monoxide poisoning. Only persons who can understand and follow the instructions should use or service this heater.

DANGER

- **EXPLOSION - FIRE HAZARD**
- Keep solid combustibles, such as building materials, paper or cardboard, a safe distance away from the heater as recommended by the instructions.
- Provide adequate clearances around air openings into the combustion chamber.
- Never use the heater in spaces which do or may contain volatile or airborne combustibles, or products such as gasoline, solvents, paint thinner, dust particles or unknown chemicals.
- During operation, this product can be a source of ignition. Keep heater area clear and free from combustible materials, gasoline, paint thinner, cleaning solvents and other flammable vapors and liquids. Do not use heater in areas with high dust content. Minimum heater clearances from combustible materials: 3 feet from the sides & 3 feet from the top.

WARNING

BURN HAZARD

- Never leave heater unattended when hot or in use.
- Keep out of reach of children.

DANGER

- **EXPLOSION - FIRE HAZARD**
- Never store propane near high heat, open flames, direct sunlight, other ignition sources or where temperatures exceed 120 degrees F (49°C).
- Propane vapors are heavier than air and can accumulate in low places. If you smell gas, leave the area immediately.
- Never install or remove the propane cylinder
- This heater is red hot during use and can ignite flammables that are too close to the burner. Keep flammables at least 3 feet from sides & 3 feet from top. Keep gasoline and other flammable liquids and vapors well away from heater.
- Store the propane cylinder outdoors in a well-ventilated space out of reach of children. Never store the propane cylinder in an enclosed area (house, garage etc.). If heater is to be stored indoors, disconnect the propane cylinder for outdoor storage.

WARNING

We cannot foresee every use which may be made of our heaters.
Check with your local fire safety authority if you have questions about heater use.
Other standards govern the use of fuel gases and heat producing products for specific uses. Your local authorities can advise you about these.
If no local codes exist, follow National Fuel Gas Code, ANSI Z223.1. In Canada, installation must conform to local codes. If no local codes exist, follow the current National standards of CANADA CAN/CGA-B 149.2.

WARNING

California Proposition 65
Combustion by-products produced when using this product contain chemicals known to the State of California to cause cancer, birth defects and other reproductive harm.

DANGER

- **CARBON MONOXIDE HAZARD**
- This heater is a combustion appliance. All combustion appliances produce carbon monoxide (CO) during the combustion process. This product is designed to produce extremely minute, non-hazardous amounts of CO if used and maintained in accordance with all warnings and instructions. Do not block air flow into or out of the heater.
- Carbon Monoxide (CO) poisoning produces flu-like symptoms, watery eyes, headaches, dizziness, fatigue and possibly death. You can't see it and you can't smell it. It's an invisible killer. If these symptoms are present during operation of this product, get fresh air immediately!
- For outdoor use only.
- Never use inside house, or other unventilated or enclosed areas.
- This heater consumes air (oxygen). Do not use in unventilated or enclosed areas to avoid endangering your life.

WARNING

Improper installation, adjustment, alteration, service or maintenance can cause property damage, injury or death. Read the installation, operation and maintenance instructions thoroughly before installing or servicing this equipment.

CAUTION

SERVICE SAFETY

- Keep all connections and fittings clean. Make sure propane cylinder valve outlet is clean.
- During set up, check all connections and fittings for leaks using soapy water. Never use a flame.
- Use as a heating appliance only. Never alter in any way or use with any device.

⚠ WARNING

- Alert children and adults to the hazards of high surface temperatures. Stay away from these surfaces to avoid burning skin or igniting clothing.
- Carefully supervise young children when in the vicinity of the heater.
- Do not hang clothing or any other flammable materials from the heater, or place on or near the heater.
- Replace any guard or protective device removed for servicing the appliance prior to placing back in service.
- Installation and repair should be done by a qualified service person. The heater should be inspected before use and annually by a qualified service person. More frequent cleaning may be required as necessary. It is imperative that the control compartment, burners and circulating air passageway of the appliance be kept clean.

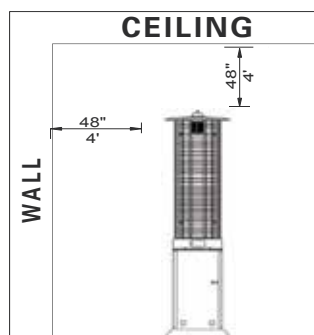
⚠ CAUTION

SERVICE SAFETY

- Keep all connections and fittings clean. Make sure propane cylinder valve outlet is clean.
- During set up, check all connections and fittings for leaks using soapy water. Never use a flame.
- Use as a heating appliance only. Never alter in any way or use with any device.

⚠ WARNING

- For outdoor use ONLY.
- An amply ventilated area must have a minimum of 25 % of the surface area open.
- The surface area is the sum of the walls



⚠ WARNING

- This product is fueled by propane gas. Propane gas is invisible, odorless and flammable. An odorant is normally added to help detect leaks and can be described as a “rotten egg” smell. The odorant can fade over time so leaking gas is not always detectable by smell alone.
- Propane gas is heavier than air and leaking propane will sink to the lowest level possible. It can ignite by ignition sources including matches, lighters, sparks or open flames of any kind many feet away from the original leak. Use only propane gas set up for vapor withdrawal.
- Store or use propane gas in compliance with local ordinances and codes or with ANS/NFPA 58. Turn off propane when not in use.

⚠ WARNING: For Outdoor Use Only

⚠ DANGER

CARBON MONOXIDE HAZARD



This appliance can produce carbon monoxide which has no odor.

Using it in an enclosed space can kill you.

Never use this appliance in an enclosed space such as a camper, tent, car or home.

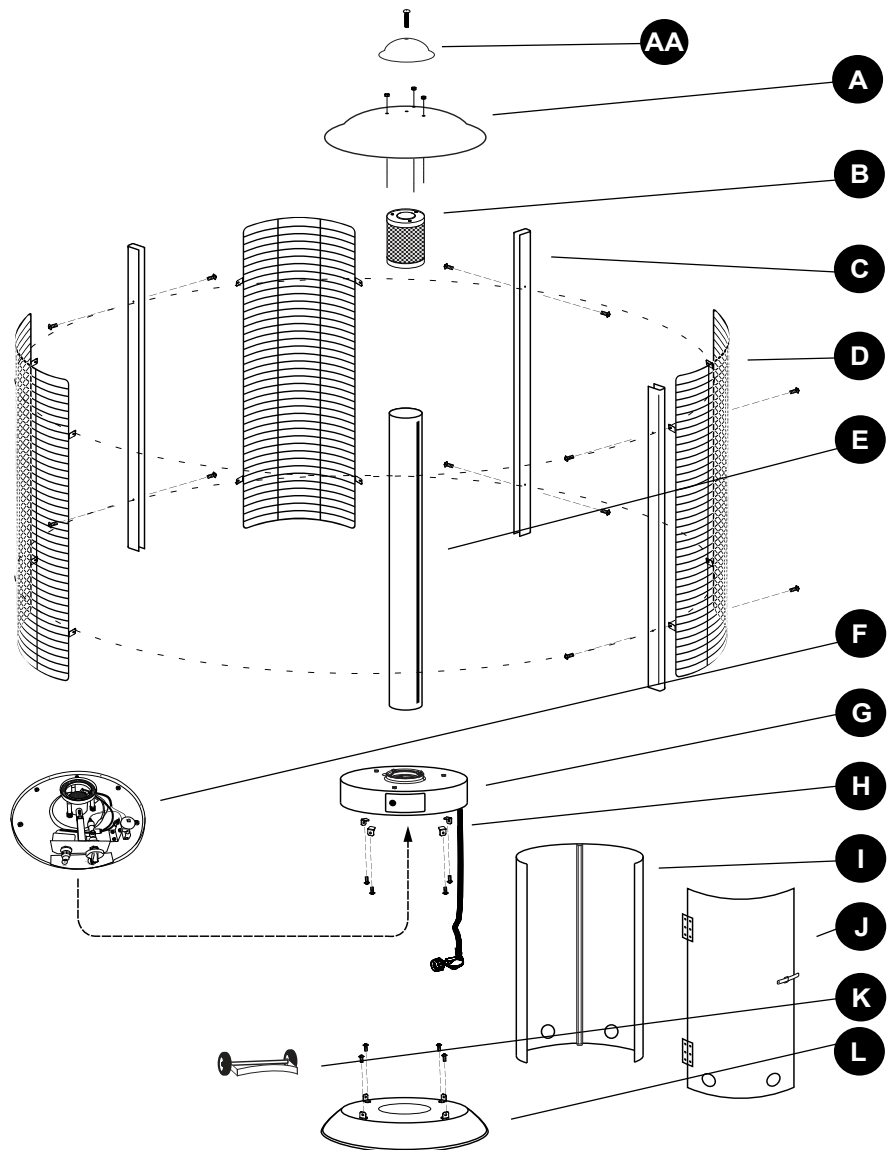
⚠ WARNING

Spiders and insects can nest in burner or orifices. This dangerous condition can damage heater and render it unsafe for use. Clean burner holes by using a heavy-duty pipe cleaner. Compressed air may help clear away smaller particles.

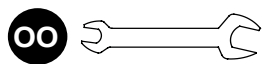


PACKAGE CONTENTS

PART	DESCRIPTION	QUANTITY
AA	Reflector Cover	1
A	Reflector	1
B	Emitter	1
C	Support	3
D	Protective Guard	3
E	Quartz Glass Tube	1
F	Burner Ignition Plate	1
G	Control Box Casing	1
H	Gas Hose & Regulator	1
I	Back Panel	1
J	Front Door Panel	1
K	Wheel Kit	1
L	Base Plate	1



INCLUDED HARDWARE



Wrench
Qty. 1



Bolt M8 x 15mm
Qty. 2



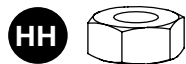
Philips screwdriver
Qty. 1



AA Alkaline
Battery
Qty. 1



Teflon Tape
Qty. 1



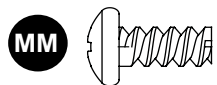
Nut M8
Qty. 11



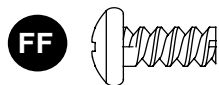
Screw M8 x 15 mm
Qty. 16



Ceramic Rope with Attachment Clips
Qty. 2



Screw M8 x 10 mm
Qty. 12



Screw M8 x 30 mm
Qty. 1



Screw M6 x 12mm
Qty: 8



90 degree metal bracket
Qty: 8

ADDITIONAL REQUIRED HARDWARE

- Adjustable opening wrench (2) 20 cm (8") long
- Slip joint pliers 23 cm (9") long
- Philips screwdriver w/ medium blade
- Spray bottle of soap solution for leakage test

PREPARATION

Before beginning assembly of product, make sure all parts are present. Compare parts with package contents list and hardware contents above. If any part is missing or damaged, do not attempt to assemble the product. Contact customer service for replacement parts.

Estimated Assembly Time: 45 minutes

Tools Required for Assembly (not included):

Phillips screwdriver w/medium blade. Leak Detection Solution.

ASSEMBLY INSTRUCTIONS

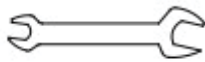
1. REFLECTOR ASSEMBLY:

First please ensure all transit protection (foam, cardboard, bubble wrap, etc.) is removed. Carefully put the ruby quartz glass tube aside after removing the bubble wrap and foam material.

Verify 2 nuts M8 (HH) installed on each stem. Unscrew top nut on each stem to desired height as shown (fig. 1-A).

Place reflector over stems as shown (fig. 1-B) and hand tighten 1 M8 nut (HH) per stem.

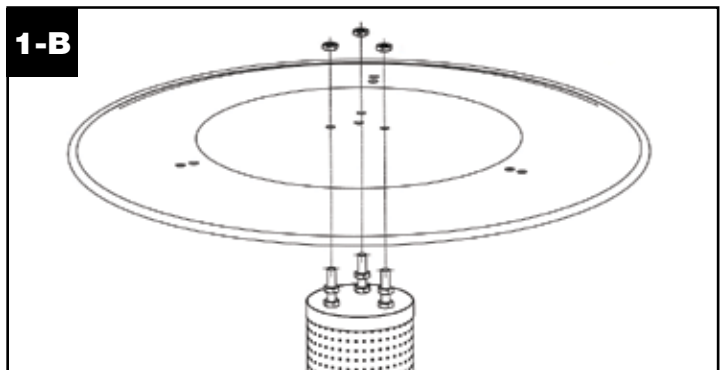
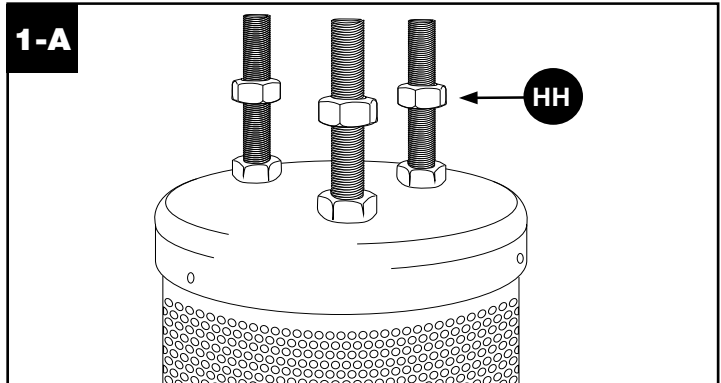
Hardware Used



Nut M8 Qty 6
(Already assembled)

Wrench Qty 1

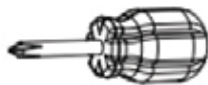
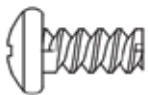
Nut M8 Qty 3



2. GUARD REMOVAL:

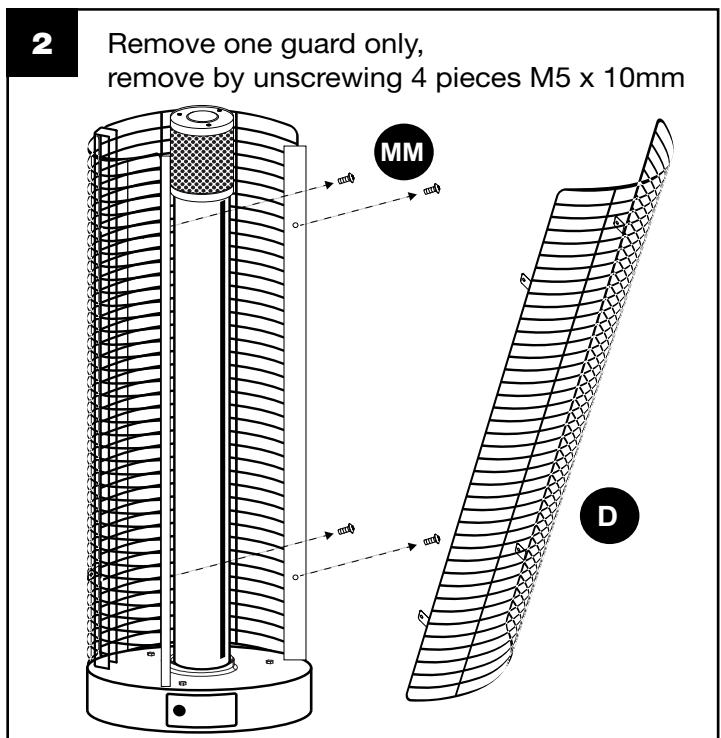
Remove one protective steel guard by unscrewing 4 pcs M5x10mm as show in fig 2.

Hardware Used



Screw M5x10 mm
Qty. 12

Phillips screwdriver
Qty. 1



ASSEMBLY INSTRUCTIONS

3. Install reflector to support with M8 screws (Qty. 6)

Hardware Used

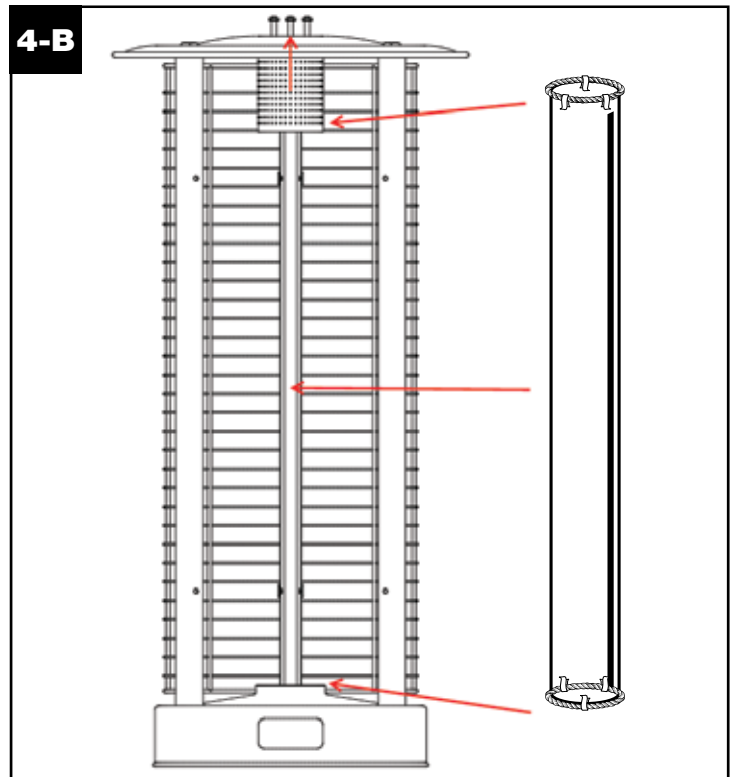
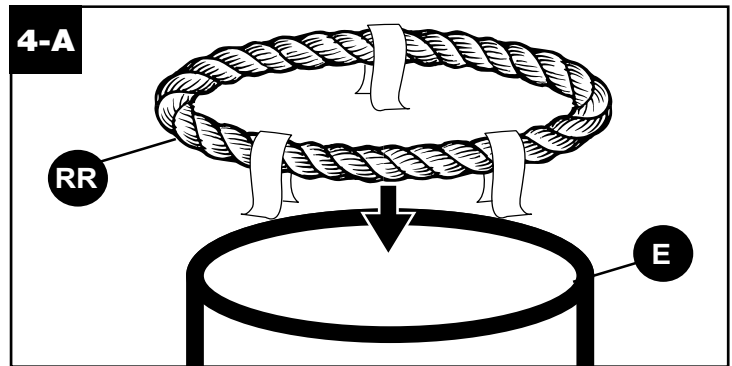
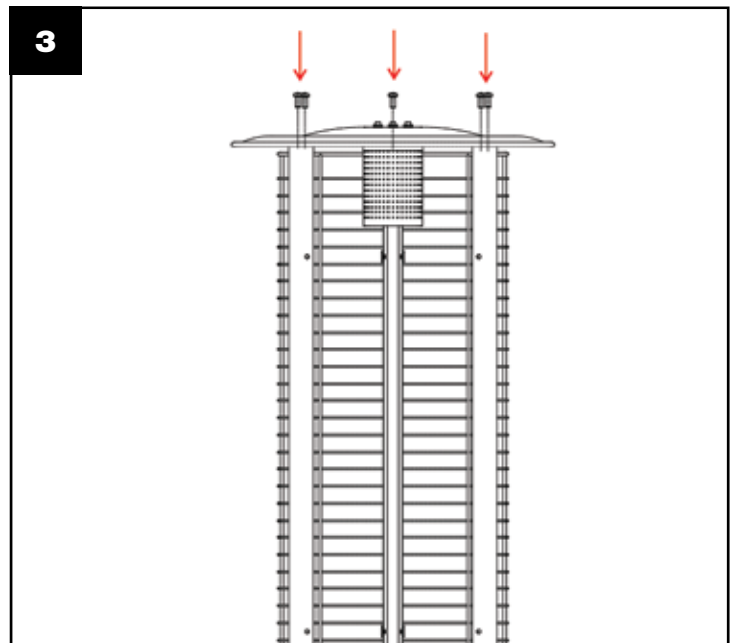


4. Attach the clips (RR) onto the ceramic ropes. Place the first rope at the base of the upper emitter. Place the second rope at the base of the Quartz Glass Tube (E). Attach clips to glass.(fig 4-A) The clips will hold the glass tube in place.

Hardware Used



Wrench Qty 1



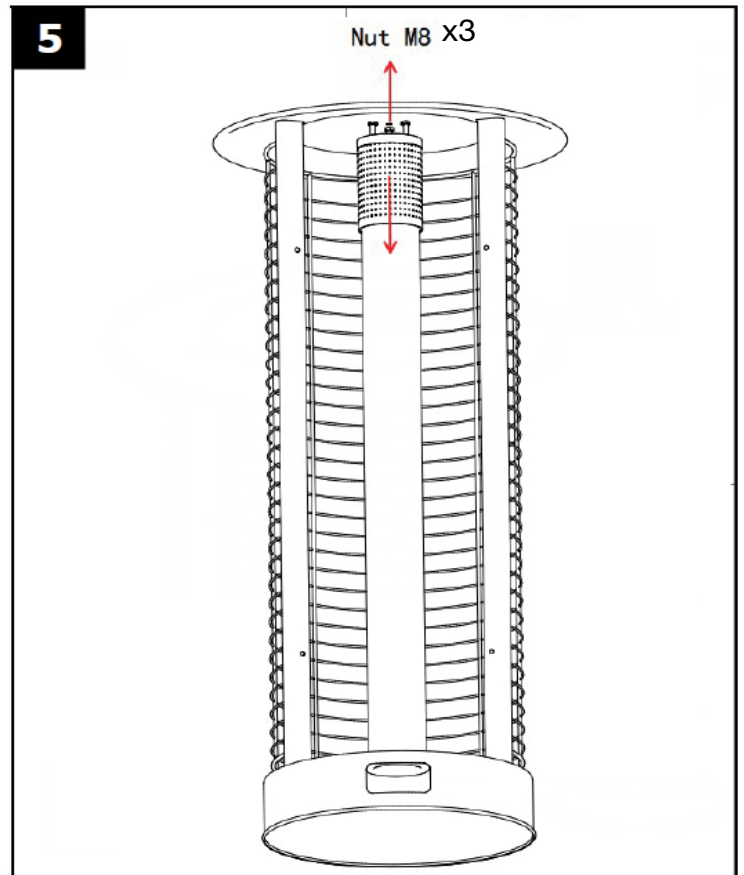
- Loosen the top nut M8x3 on emitter under reflector in clockwise direction. Then lift emitter up and place glass tube in place. Gently pull downward on the emitter, and tighten the nut M8 x3 to hold the glass tube in place. Making sure as you tighten that both the emitter and glass tube are straight. You will tighten M8x3 nut until it allows enough room to do step 6 below. Once this is done re-tighten the top nut M8x3 to secure the reflector.

Note: Before installation, please wear gloves, press the lower seat of the glass tube, let it loose, then install the glass tube!

Hardware Used



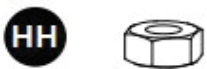
Wrench
Qty. 1



- Tighten the nuts M8 x3 (HH) on the reflector. These were hand tightened from step 1.

Use bolt M8 (FF) to attach reflector cover (AA) on top of the reflector as shown in fig 6.

Hardware Used



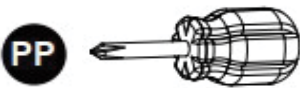
Nut M8
Qty. 3 (from step 1)



Bolt M8x30 mm
Qty. 1



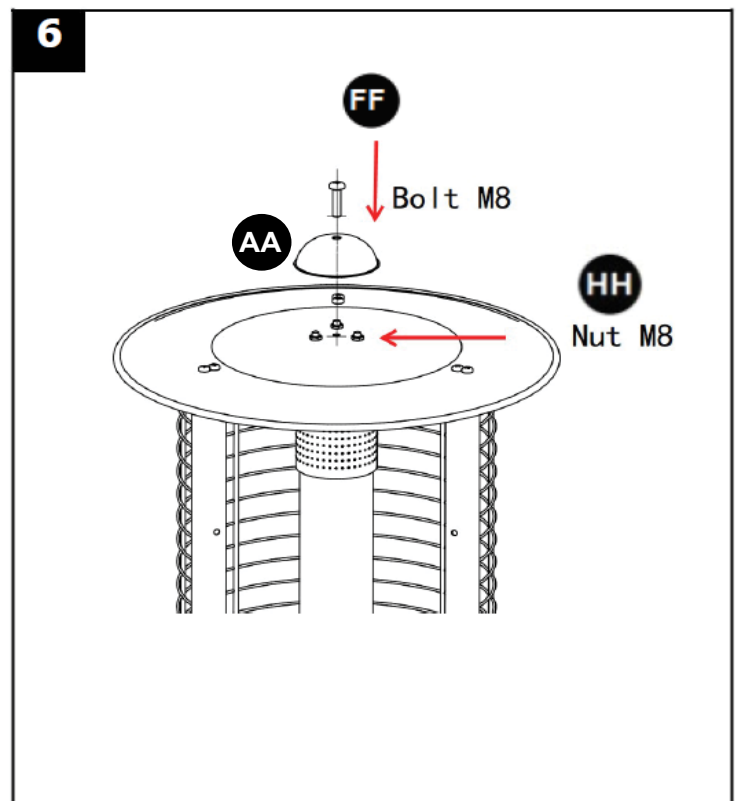
Wrench
Qty. 1



Philips screwdriver
Qty. 1

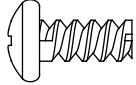
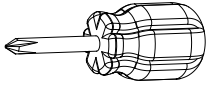
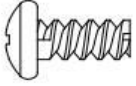



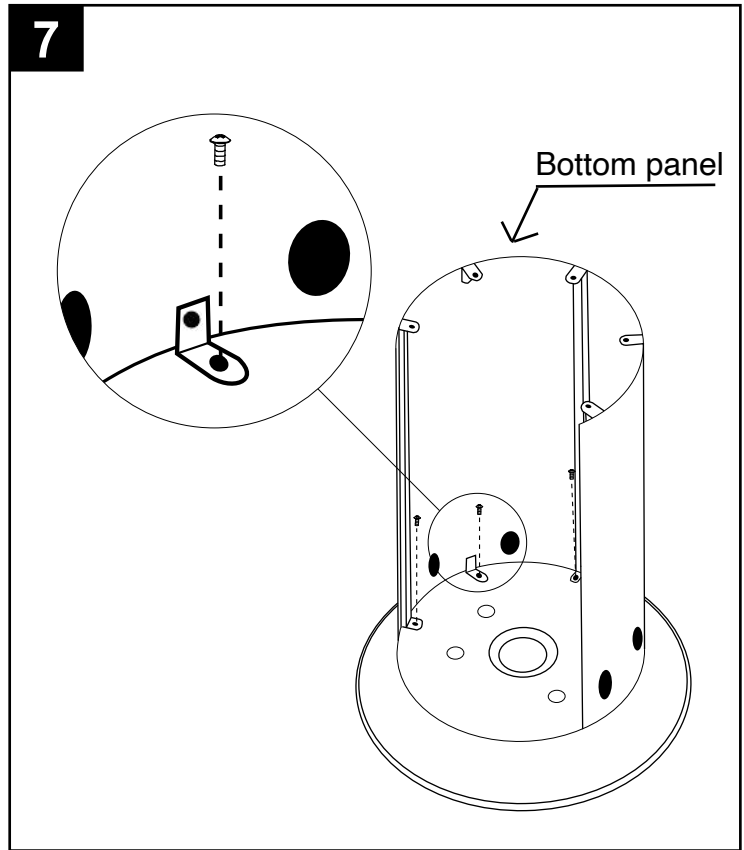
Reflector Cover
Qty. 1



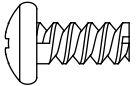
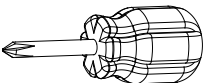
7. Align bottom panel on top of base plate and connect them together by securely installing (5) M8×15 screws through the designated 90 degree metal brackets with a philips screwdriver. Then use screw (4) M6×12 on outside of panel and secure to 90 degree bracket at the base. Attach the 90 degree bracket (4) with screw M6×12 (4) on the outside of panel, upper portion.

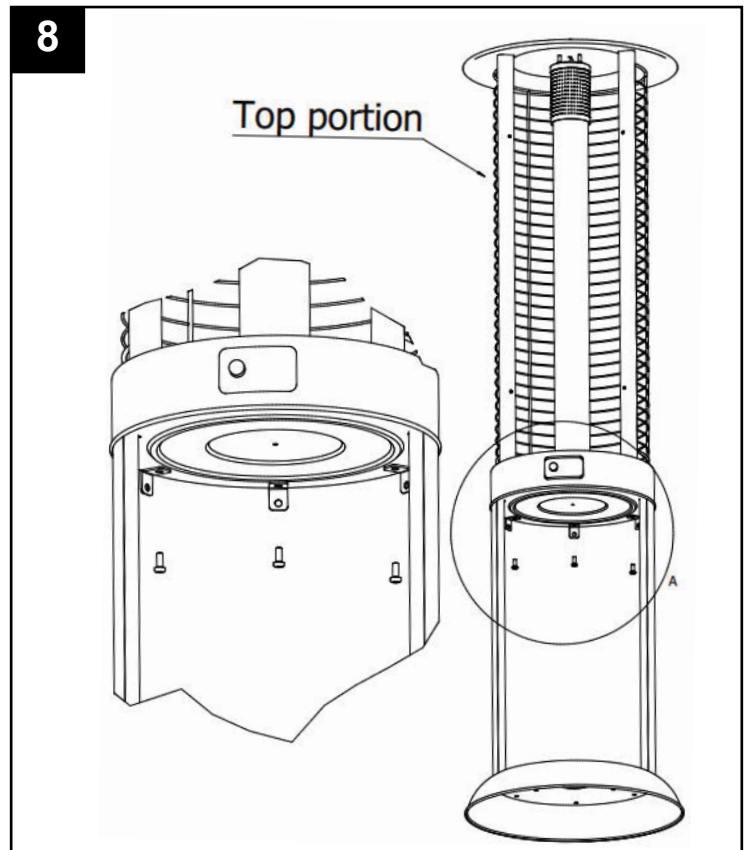
Hardware Used

- DD** Screw M8×15 mm  x 5
- PP** Philips screwdriver  x 1
- XX** Screw M6×12 mm  x 8
- YY** 90 degree metal bracket  x 8

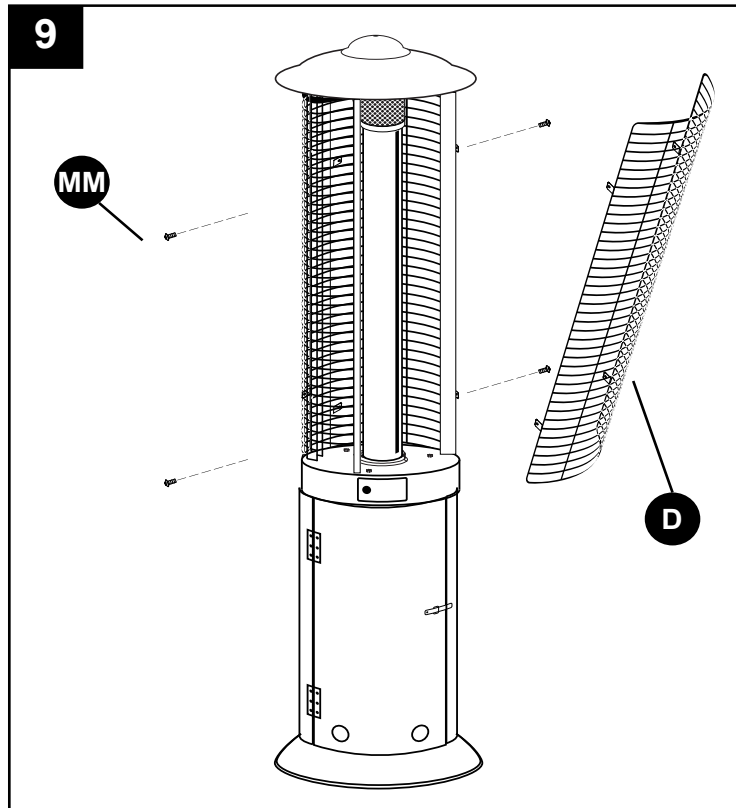


8. Align the top portion onto the base and connect them together using screw (5) M8x15 thru the 90 degree brackets. This will secure the top portion to the base

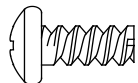
- DD** Screw M8×15 mm  x 5
- PP** Philips screwdriver  x 1



9 .Re-install the protective steel guard(D) by hanging it on the upper support slots.Next tightly secure it with all (12) of the M5×10 screws in to their original support slots accordingly.



Hardware Used

MM Screw M5×10 mm  x 12

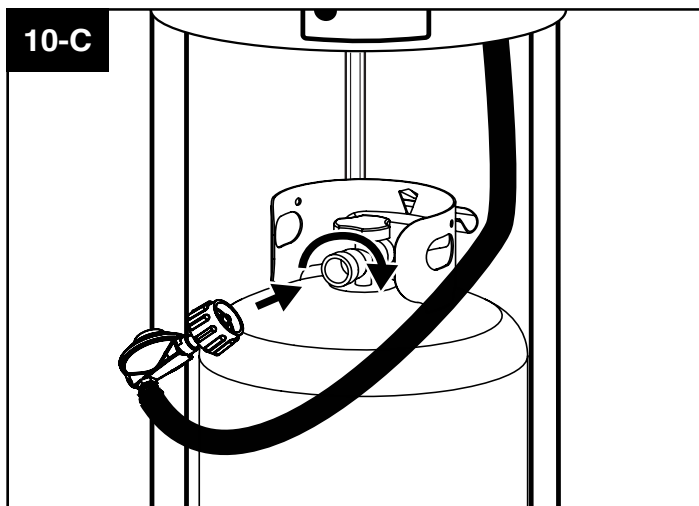
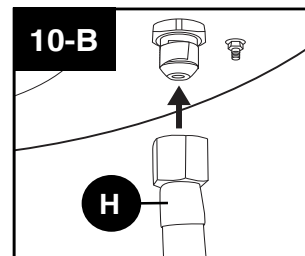
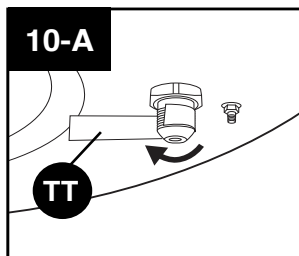
PP Philips screwdriver  x 1

10. Wrap gas intake with teflon tape (TT) in clockwise direction (fig. 10-A).

Then connect gas hose (H) (fig. 10-B)

The knob on the LP tank must be closed. Make sure that the knob is turned ↻ clockwise to a full stop. The cylinder supply system must be arranged for vapor withdrawl. Check that the control knob on the control unit is turned off. Hold old the regulator in one hand and insert the nipple into the valve outlet. Be sure the nipple is centered in the valve outlet. The coupling nut connects to the large outside threads on the valve outlet. Hand-tighten the coupling nut ↻ clockwise until it comes to a full stop. Firmly tighten by hand only. (fig. 10-C)

To Disconnect: Fully close the tank by turning ↻ clockwise until the regulator assembly detaches clockwise. Turn the coupling nut ↶ counterclockwise.



⚠ WARNING

Ensure the hose does not contact any high temperature surfaces, or it may melt and leak causing a fire. After the cylinder is placed inside the heater, secure the cylinder with block belt tightly.

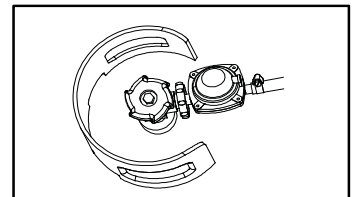
⚠ WARNING

Ensure the hose does not contact any high temperature surfaces, or it may melt and leak causing a fire.

12. Leak testing: See leak testing diagram for areas to check. Turn all burner controls to the off position. Turn gas supply valve on.

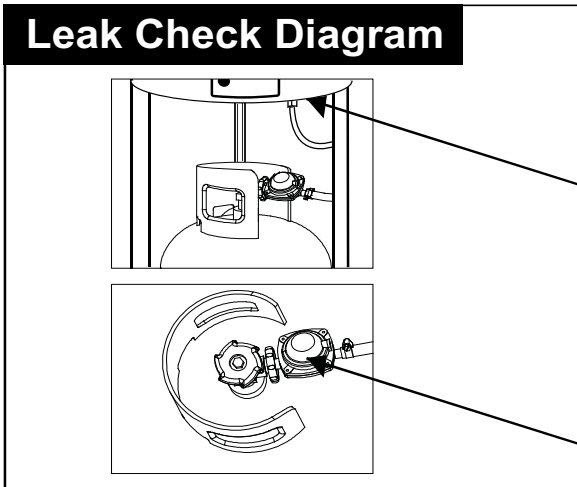
Brush a half-and-half solution of liquid soap and water onto all joints and connections of the regulator, hose, manifolds and valves.

Bubbles will indicate a gas leak. Either tighten the loose joint or have the part replaced with one recommended by the Customer Care department and have the patio heater inspected by a certified gas installer.



Regulator / Cylinder connection

Leak Check Diagram



⚠ WARNING

Never use an open flame to check for gas leaks. Be certain no sparks or open flames are in the area while you check for leaks. Sparks or open flames will result in a fire or explosion, damage to property, serious bodily injury, or death.

⚠ WARNING

A leak test must be performed annually and each time a cylinder is hooked up or if a part of the gas system is replaced, and whenever any gas components are being replaced or serviced.

⚠ WARNING



Do not smoke while performing this test, and remove all sources of ignition.

⚠ WARNING



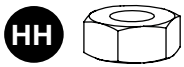
If the leak cannot be stopped, immediately shut off the gas supply, disconnect it, and have the patio heater inspected by a certified gas installer or dealer. Do not use the patio heater until the leak has been corrected.

13. Install wheel kit to base plate by inserting (2) x Bolt M8 x 15mm through the wheel kit and base plate and securing them with (2) x Nut M8 (use supplied wrench to tighten).

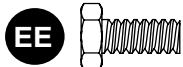
⚠ WARNING

After the cylinder is placed inside the heater, secure the cylinder with block belt tightly.

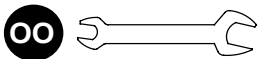
Hardware Used



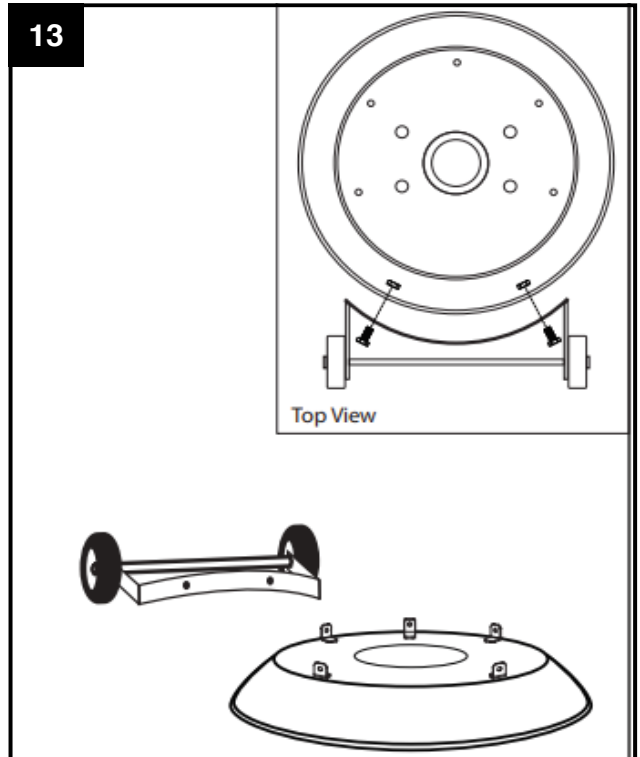
Nut M8
Qty. 2



Bolt M8 x 15mm
Qty. 2



Wrench
Qty. 1

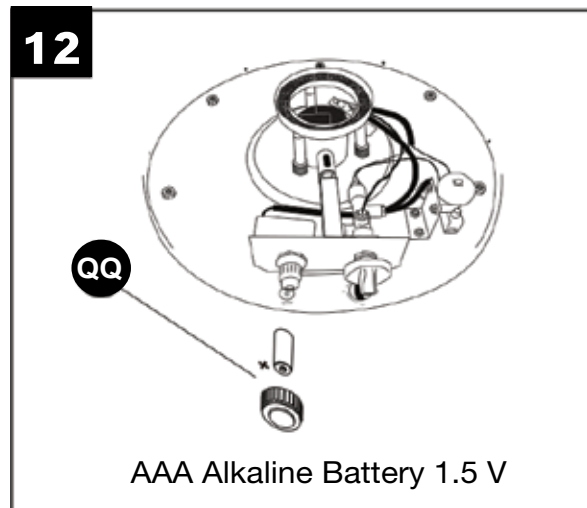


OPERATION INSTRUCTIONS

12. Unscrew the switch button, insert AA alkaline battery, tighten the switch button.

Hardware Used

QQ AA Alkaline Battery  x 1



OPERATION INSTRUCTIONS

Caution: Do not attempt to operate until you have read and understand all General Safety Information in this manual and all assembly is complete and leak checks have been performed.

Before Turning Gas Supply ON:

1. Your heater was designed and approved for outdoor use only. Do NOT use it inside a building, garage, or any other enclosed area.
2. Make sure surrounding areas are free of combustible materials, gasoline, and other flammable vapors or liquids.
3. Ensure that there is no obstruction to air ventilation. Be sure all gas connections are tight and there are no leaks.
4. Be sure the cylinder cover is clear of debris. Be sure any component removed during assembly or servicing is replaced and fastened prior to starting.

Before Lighting:

1. Heater should be thoroughly inspected before each use, and by a qualified service person at least annually. If relighting a hot heater, always wait at least 5 minutes.
2. Inspect the hose assembly for evidence of excessive abrasion, cuts, or wear. Suspected areas should be leak tested. If the hose leaks, it must be replaced prior to operation. Only use the replacement hose assembly specified by manufacturer.

Lighting:

Note: This heater is equipped with a pilot light that allows for safer startups and shutdowns. Pilot must be lit before main burner can be started.

1. Turn the control knob to the "OFF" position.
2. Fully open LP cylinder valve.
3. Push control knob in and rotate counter-clockwise until it stops (Figure 1).

Note: For initial start or after any cylinder change, hold control knob in for 2 minutes to purge air from gas lines before proceeding.

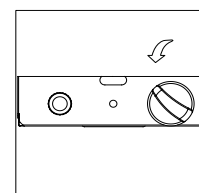


Figure 1

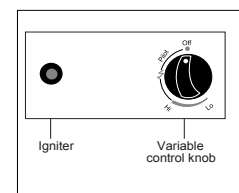
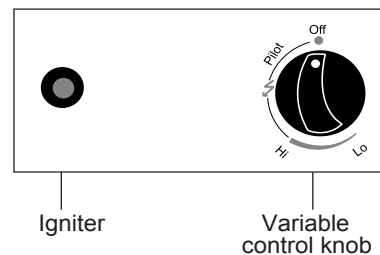


Figure 2

OPERATION INSTRUCTIONS

4. Push the igniter button until pilot flame is visible through the glass tube.
5. Once the pilot is lit, continue to depress the control knob for 30 seconds.
6. If the pilot does not stay lit, repeat steps 4 to 6.
7. If after repeating steps 4 to 6 unit does not light, then

- Push in control knob and turn counterclockwise to "PILOT" (Figure 3).
- As you are depressing the control knob, place long stem lighter through the glass tube to light the pilot (Figure 4).
- Repeat step 6.



Igniter

Variable control knob

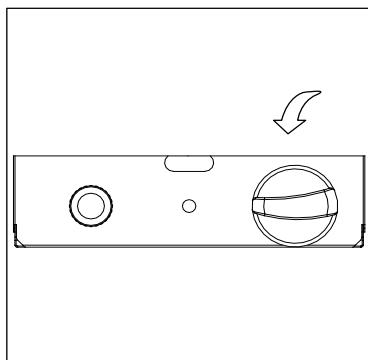


Figure 3

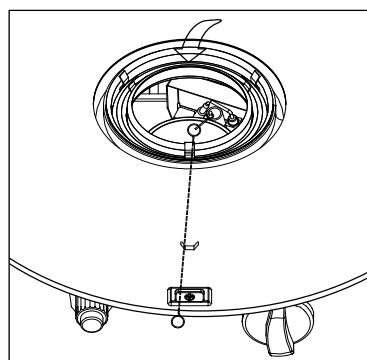


Figure 4

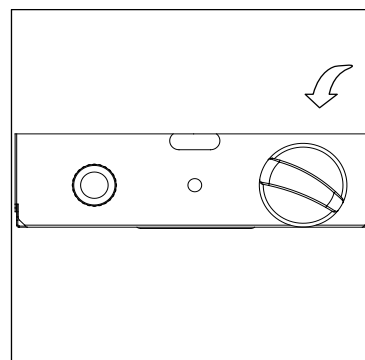


Figure 5

8. Push in and turn the control knob to the "HIGH", then release control knob. If you want a lower temperature, push in the control knob and turn counterclockwise to the "LOW" (Figure 5).

Note: If pilot fails to remain lit, all valves should be closed and a waiting period of at least 5 minutes should pass before attempting to light.

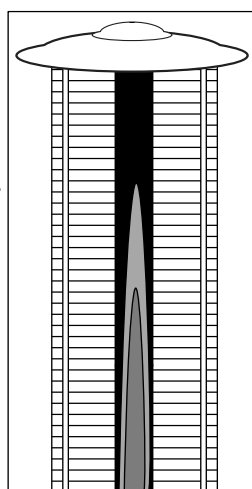
If you experience any ignition problem please consult "Troubleshooting" on page 18.

Caution: Avoid inhaling fumes emitted from the heater's first use. Smoke and odor from the burning of oils used in manufacturing will appear. Both smoke and odor will dissipate after approximately 30 minutes. The heater should NOT produce thick black smoke.

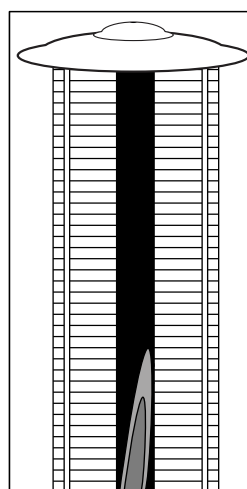
Note: The burner may be noisy when initially turned on. To eliminate excessive noise from the burner, turn the control knob to the PILOT position. Then, turn the knob to the level of heat desired.

Note:

In Normal condition, the height of flame is 2/3 height of glass tube under Hi position. the height of flame is 1/3 height of glass tube under Low position. The flame is stable and bright. Contrarily it is abnormal condition.



Normal



Abnormal

OPERATION INSTRUCTIONS

WARNING

FOR YOUR SAFETY

Be careful when attempting to manually ignite this heater. Holding in the control knob for more than 20 seconds before igniting the gas will cause a ball of flame upon ignition.

When heater is ON:

The "pilot light" should be blue with yellow top once burner is lit. The flame in the glass tube will be yellow in color. If excessive yellow flame is detected, turn off heater and consult "Troubleshooting" on page 18.

Re-lighting:

Note: For your safety, control knob cannot be turned OFF without first depressing control knob in PILOT position and then rotating it to OFF.

1. Turn control knob to OFF.
2. Wait at least 5 minutes, to let gas dissipate, before attempting to relight Pilot. Flash out will happen if performed before 5 minutes are up.
3. Repeat the "Lighting" steps on prior page.

WARNING

FOR YOUR SAFETY

Heater will be hot after use. Handle with extreme care.

Shut Down:

1. Turn control knob clockwise to PILOT. (Normally, burner will make a slight popping sound when extinguished.) Burner will extinguish but PILOT will remain ON.
2. To extinguish PILOT depress control knob and continue to turn it clockwise to OFF.
3. Turn cylinder valve clockwise to OFF and disconnect regulator when heater is not in use.

Note: After use, some discoloration of the emitter screen is normal.

Operation Checklist

For a safe and pleasurable heating experience, perform this check before each use.

Before Operating:

1. I am familiar with entire owner's manual and understand all precautions noted.
2. All components are properly assembled, intact and operable.
3. No alterations have been made.
4. All gas connections are secure and do not leak.
5. Wind velocity is below 10 mph.
6. Unit will operate at reduced efficiency below 40°F.
7. Heater is outdoors (outside any enclosure).
8. There is adequate fresh air ventilation.

CARE AND MAINTENANCE

- Gas odor
- Heater does NOT reach the desired temperature.
- Heater glow is excessively uneven.
- Heater makes popping noises.
- Spiders and insects can nest in burner or orifices. This dangerous condition can damage heater and render it unsafe for use. Clean burner holes by using a heavy-duty pipe cleaner. Compressed air may help clear away smaller particles.
- Carbon deposits may create a fire hazard. Disassembly the reflector, unscrew the reflector spacer, take off the screen, take down one side of protective guards. Then take the glass tube from the heater and wash and clear. After that assembly ,the glass tube and the rest of parts.



Note: *In a salt-air environment (such as near an ocean), corrosion occurs more quickly than normal. Frequently check for corroded areas and repair them promptly.*

TIP:

Use high-quality automobile wax to help maintain the appearance of your heater. Apply to exterior surfaces from the pole down. Do not apply to emitter screen or domes.

Storage

Between uses:

- Turn Control Knob OFF.
- Disconnect LP cylinder.
- Store heater upright in an area sheltered from direct contact with inclement weather (such as rain, sleet, hail, snow, dust and debris).
- If desired, cover heater to protect exterior surfaces and to help prevent build-up in air passages.

Note: *Wait until heater is cool before covering.*

During periods of extended inactivity or when transporting:

- Turn Control Knob OFF.
- Disconnect LP cylinder and move to a secure, well-ventilated location outdoors.
- Store heater upright in an area sheltered from direct contact with inclement weather (such as rain, sleet, hail, snow, dust and debris).
- If desired, cover heater to protect exterior surfaces and to help prevent build-up in air passages. Never leave LP cylinder exposed to direct sunlight or excessive heat.

Note: *Wait until heater is cool before covering.*

Service

Only a qualified service person should repair gas passages and associated components.

Caution: *Always allow heater to cool before attempting service.*

TROUBLESHOOTING

PROBLEM	PROBABLE CAUSE	CORRECTIVE ACTION
Pilot will not light Note: heater operates at reduced efficiency below 40° (5°C)	Gas valve may be OFF	Turn the gas valve ON
	Tank fuel empty	Refill LPG tank
	Opening blocked	Clean or replace opening
	Air in supply system	Purge air from lines
Pilot will not stay on	Debris around pilot	Clean dirty area
	Loose connections	Tighten connections
	Thermocouple bad	Replace thermocouple
	Gas leak in line	Check connections
	Lack of fuel pressure	Tank near empty. Refill LPG tank.
Burner will not light	Pressure is low	Tank near empty. Refill LPG tank.
	Opening blocked	Remove and clean
	Control not ON	Turn valve to ON
	Thermocouple bad	Replace thermocouple
	Pilot light assembly bent	Place pilot properly
	Not in correct location	Position properly and retry
Burner flame is low	Gas pressure is low	Turn cylinder valve OFF and replace cylinder
	Outdoor temperature is less than 40°F and tank is less than 1/4 full	Use a full cylinder
	Control knob fully ON	Check burner and orifices for blockage
Carbon build-up Thick black smoke	Dirt or film on reflector and burner screen	Clean reflector and burner screen
	Blockage in burner	Remove blockage and clean burner inside and outside

Please don't try to modify appliance by yourself. Contact your supplier or distributor to solve any issues not listed above.

In this particular heater, carbon will build up on the bottom of reflector shield. **This will need to be cleaned periodically after periods of extended use.** This is normal based on the way the flame hits the screen in combustion.

warranty

Thank you for choosing to buy a PARAGON OUTDOOR product.

If you have a question about your PARAGON OUTDOOR heater, please call our Customer Service Team at 1-877-782-4482 with your serial number and details of where and when you purchased the unit.

Most questions can be solved over the phone by one of our Customer Service representatives. If your heater needs service, we will discuss the available options. If your heater is under warranty, and it is a covered repair, it will be repaired at no cost.

To help us ensure you receive prompt and efficient service, please register as a Paragon Outdoor owner. There are two ways to do this:

- by completing and returning the enclosed form to us by mail
- online at www.paragon-outdoor.com

This will confirm ownership of your Paragon Outdoor Heater in the event of an insurance loss, and enable us to contact you if necessary.

Terms and conditions of the Paragon Outdoor 5.3.1. year limited warranty:

WHAT IS COVERED:

Your Paragon Outdoor heater is warranted against original defects in material and workmanship for a period of 5 years on the frame, 3 years on the parts and 1 year on the burner from the date of purchase, when used for private household purposes in accordance with the PO Owner's Manual. This warranty provides, at no extra cost to you, all parts to place your heater in proper operating condition during the warranty period.

REGISTERED OWNER IS RESPONSIBLE FOR THE COST OF SHIPPING ON ANY PARTS OR REPLACEMENTS This warranty is subject to the following terms:

WHAT IS NOT COVERED:

PARAGON OUTDOOR is a division of Paragon Group USA LLC. and shall not be liable for costs incurred as a result of:

- Heaters purchased from an unauthorized dealer.
- Use of parts not in accordance with the Owner's Manual.
- Careless operation or handling, misuse, abuse and/or lack of maintenance or use not in accordance with the Owner's Manual.
- External sources such as weather.
- Repairs or alterations carried out by unauthorized parties or agents.
- Use of the heater other than for normal domestic purposes within the United States, e.g. for commercial or rental purposes.
- Use of parts and accessories other than those produced or recommended by Paragon Outdoor.

FOR IMMEDIATE ASSISTANCE



**PARAGON OUTDOOR
CUSTOMER SERVICE:**

Call 1-877-782-4482 toll free,
7 days a week.

Please register your
PARAGON OUTDOOR product