

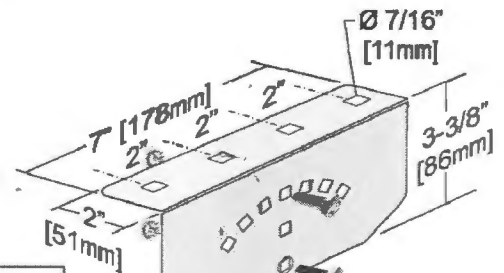
JP-2100-CB-K: Stainless Steel Ceiling Mount Kit for Patio Heaters

bistroSchwank 2100 / supremeSchwank 2300 Series; and IO-100 / IO-200 Series

Quantity of JP-2100-CB-K Kits on this Project: _____

Component Quantities and Material Specifications each Kit:

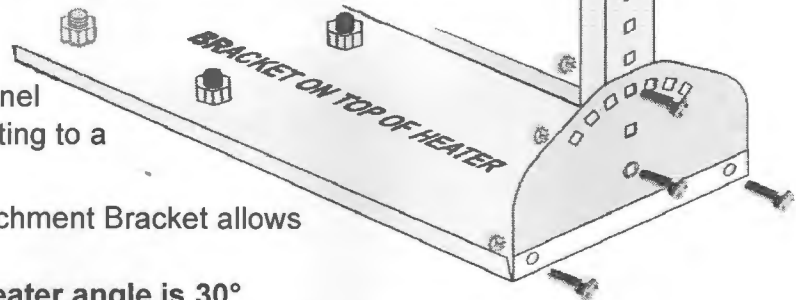
- 2 x Ceiling Bracket - 12 ga. [0.102"] 316 S/S
- 2 x 24" [610 MM] Channel Leg - 12 ga. [0.102"] 316 S/S
- 2 x Heater Attachment Bracket - 12 ga. [0.102"] 316 S/S
- 12 x 1/4" x 3/4" Stainless Steel Bolts
- 12 x 1/4" Stainless Steel KEP Nuts [lock washer attached]

**Note: It is the installer's responsibility to ensure:**

- Adequate mounting strength and integrity to the structure using field supplied 3/8" lag screws or bolts
- Maintain required clearances to combustibles from heater
- Refer to manual: heater weights; required clearances

Assembly:

- The 24" [610 mm] Channel Leg can be cut to a shorter length
 - Ensure required clearances from heater are maintained
- Fasten the Ceiling Bracket and Heater Attachment Bracket to the Channel Leg using two supplied 1/4" bolts at each connection as illustrated
- The arc of holes in the Ceiling Bracket allows angling of the Channel Leg from the bracket, and/or mounting to a sloped ceiling
- The arc of holes in the Heater Attachment Bracket allows angle mount of the heater.
 - **NOTE: Maximum allowed heater angle is 30°**
- Fasten an assembled mounting bracket to each end of the Heater Support Bracket [supplied with heater] using two 1/4" bolts supplied

**Note: Only for supremeSchwank 2300 Series & IO-200 Series**

with minimum 5-1/2" [140mm] clearance to combustibles required above the heater.

Do not mount the bistroSchwank 2100 Series & IO-100 Series this way - required clearance above will not be achieved

- The Ceiling and Heater Attachment Brackets can be fitted directly to one another without the Channel Leg, and yet achieve minimum clearance of 5-1/2" [140 mm] above for supremeSchwank 2300 & IO-200 Series ONLY

